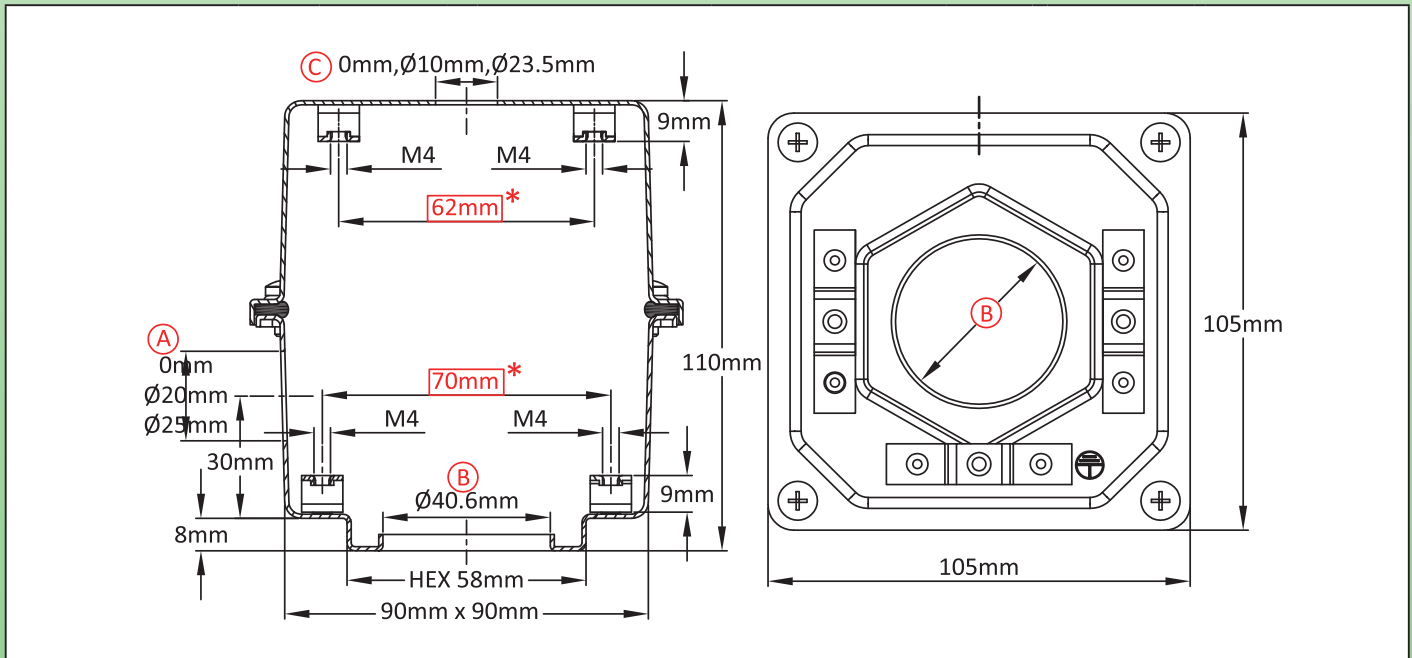


Medium size immersion heater enclosure with built-in hexagon for fitting

Size(mm)	Volume(cm ³)	Material	Protection grade		Model
105 × 105 × 110	781	stainless steel	IP69K	IK7	Y3S6

Suitable for
<input type="checkbox"/> Temperature sensor
<input checked="" type="checkbox"/> Immersion heater
<input type="checkbox"/> Finned heater
<input checked="" type="checkbox"/> Thermostat
<input type="checkbox"/> Level sensor
<input checked="" type="checkbox"/> Electronic board



Main references

(A)(mm)	(B)(mm)	(C)(mm)	304	316
0	40.6	0	Y3S64060000G1008	Y3S64060000G1009
0	40.6	10	Y3S6406A000G1008	Y3S6406A000G1009
0	40.6	23.5	Y3S6406D000G1008	Y3S6406D000G1009
20	40.6	0	Y3S64060120G1008	Y3S64060120G1009
20	40.6	10	Y3S6406A120G1008	Y3S6406A120G1009
20	40.6	23.5	Y3S6406D120G1008	Y3S6406D120G1009
25	40.6	0	Y3S64060125G1008	Y3S64060125G1009
25	40.6	10	Y3S6406A125G1008	Y3S6406A125G1009
25	40.6	23.5	Y3S6406D125G1008	Y3S6406D125G1009

Links

	Page (.pdf)
	Drawing 2D (.dwg)
	Drawing 3D (.stp)

Cable gland not included in these reference, consult us if you want them.

Red dimensions inside rectangular frames are used for accessories assembly.