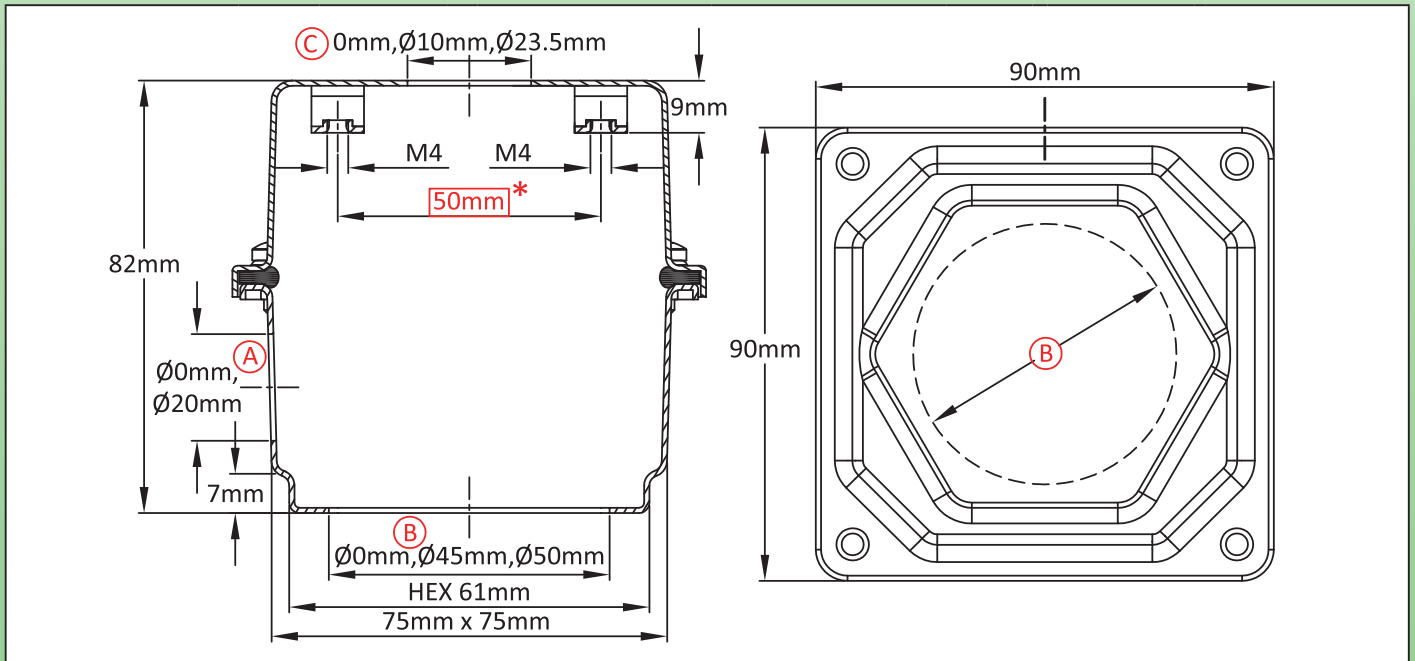


Immersion heater enclosure with built-in hexagon for fitting

Size(mm)	Volume(cm ³)	Material	Protection grade		Model
90 × 90 × 82	418	stainless steel	IP69K	IK7	Y3S4

Suitable for
<input type="checkbox"/> Temperature sensor
<input checked="" type="checkbox"/> Immersion heater
<input type="checkbox"/> Finned heater
<input checked="" type="checkbox"/> Thermostat
<input type="checkbox"/> Level sensor
<input checked="" type="checkbox"/> Electronic board



Main references

			304	316				304	316
(A) (mm)	(B) (mm)	(C) (mm)			(A) (mm)	(B) (mm)	(C) (mm)		
0	0	0	Y3S4000000G1008	Y3S4000000G1009	20	0	0	Y3S40000120G1008	Y3S40000120G1009
0	0	10	Y3S4000A000G1008	Y3S4000A000G1009	20	0	10	Y3S4000A120G1008	Y3S4000A120G1009
0	0	23.5	Y3S4000D000G1008	Y3S4000D000G1009	20	0	23.5	Y3S4000D120G1008	Y3S4000D120G1009
0	45	0	Y3S44500000G1008	Y3S44500000G1009	20	45	0	Y3S44500120G1008	Y3S44500120G1009
0	45	10	Y3S4450A000G1008	Y3S4450A000G1009	20	45	10	Y3S4450A120G1008	Y3S4450A120G1009
0	45	23.5	Y3S4450D000G1008	Y3S4450D000G1009	20	45	23.5	Y3S4450D120G1008	Y3S4450D120G1009
0	50	0	Y3S45000000G1008	Y3S45000000G1009	20	50	0	Y3S45000120G1008	Y3S45000120G1009
0	50	10	Y3S4500A000G1008	Y3S4500A000G1009	20	50	10	Y3S4500A120G1008	Y3S4500A120G1009
0	50	23.5	Y3S4500D000G1008	Y3S4500D000G1009	20	50	23.5	Y3S4500D120G1008	Y3S4500D120G1009

Links

Page
(.pdf)

Drawing
2D
(.dwg)

Drawing
3D
(.stp)

Cable gland not included in these reference, consult us if you want them.
Red dimensions inside rectangular frames are used for accessories assembly.