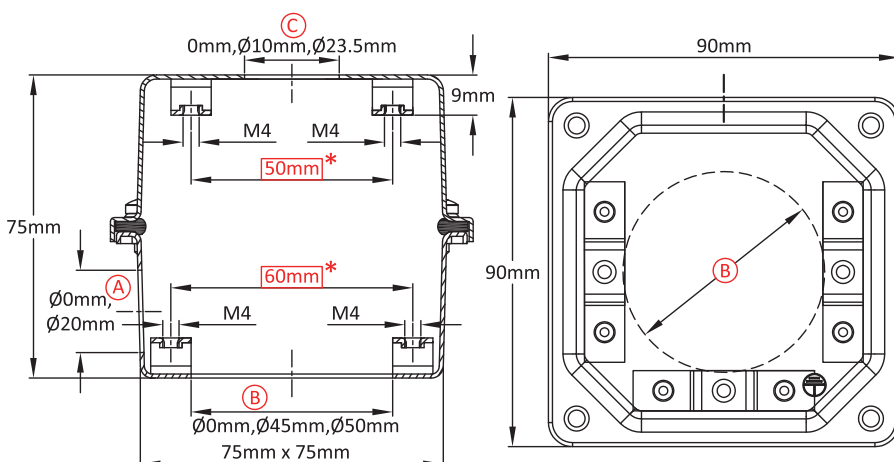


Immersion heater or temperature sensor enclosure

Size(mm)	Volume(cm ³)	Material	Protection grade		Model
90 × 90 × 75	392	stainless steel	IP69K	IK7	Y3S3

Suitable for

- Temperature sensor
- Immersion heater
- Finned heater
- Thermostat
- Level sensor
- Electronic board



Links



Page
(.pdf)



Drawing 2D
(.dwg)



Drawing 3D
(.stp)

Main references

(A) (mm)	(B) (mm)	(C) (mm)	304	316	(A) (mm)	(B) (mm)	(C) (mm)	304	316
0	0	0	Y3S30000000G1008	Y3S30000000G1009	20	0	0	Y3S30000120G1008	Y3S30000120G1009
0	0	10	Y3S3000A000G1008	Y3S3000A000G1009	20	0	10	Y3S3000A120G1008	Y3S3000A120G1009
0	0	23.5	Y3S3000D000G1008	Y3S3000D000G1009	20	0	23.5	Y3S3000D120G1008	Y3S3000D120G1009
0	45	0	Y3S34500000G1008	Y3S34500000G1009	20	45	0	Y3S34500120G1008	Y3S34500120G1009
0	45	10	Y3S3450A000G1008	Y3S3450A000G1009	20	45	10	Y3S3450A120G1008	Y3S3450A120G1009
0	45	23.5	Y3S3450D000G1008	Y3S3450D000G1009	20	45	23.5	Y3S3450D120G1008	Y3S3450D120G1009
0	50	0	Y3S35000000G1008	Y3S35000000G1009	20	50	0	Y3S35000120G1008	Y3S35000120G1009
0	50	10	Y3S3500A000G1008	Y3S3500A000G1009	20	50	10	Y3S3500A120G1008	Y3S3500A120G1009
0	50	23.5	Y3S3500D000G1008	Y3S3500D000G1009	20	50	23.5	Y3S3500D120G1008	Y3S3500D120G1009

Cable gland not included in these reference, consult us if you want them.

Red dimensions inside rectangular frames are used for accessories assembly.