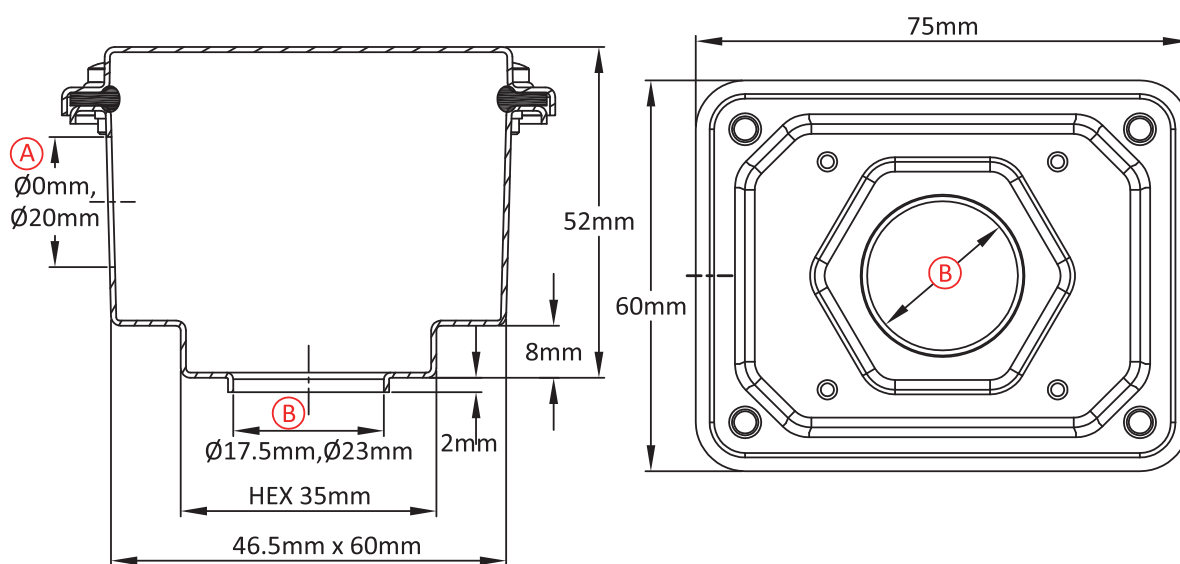


Miniature enclosure for temperature sensor or level sensor

Size(mm)	Volume(cm ³)	Material	Protection grade		Model
75 × 60 × 52	119	stainless steel	IP69K	IK7	Y3L2

Suitable for

- Temperature sensor
- Immersion heater
- Finned heater
- Thermostat
- Level sensor
- Electronic board



Main references

Ⓐ(mm)	Ⓑ(mm)	304	316
0	17.5	Y3L2175000000008	Y3L2175000000009
0	23	Y3L2230000000008	Y3L2230000000009
20	17.5	Y3L2175120000008	Y3L2175120000009
20	23	Y3L2230120000008	Y3L2230120000009

Links

	Page (.pdf)
	Drawing 2D (.dwg)
	Drawing 3D (.stp)

Cable gland not included in these reference, consult us if you want them.

Red dimensions inside rectangular frames are used for accessories assembly.