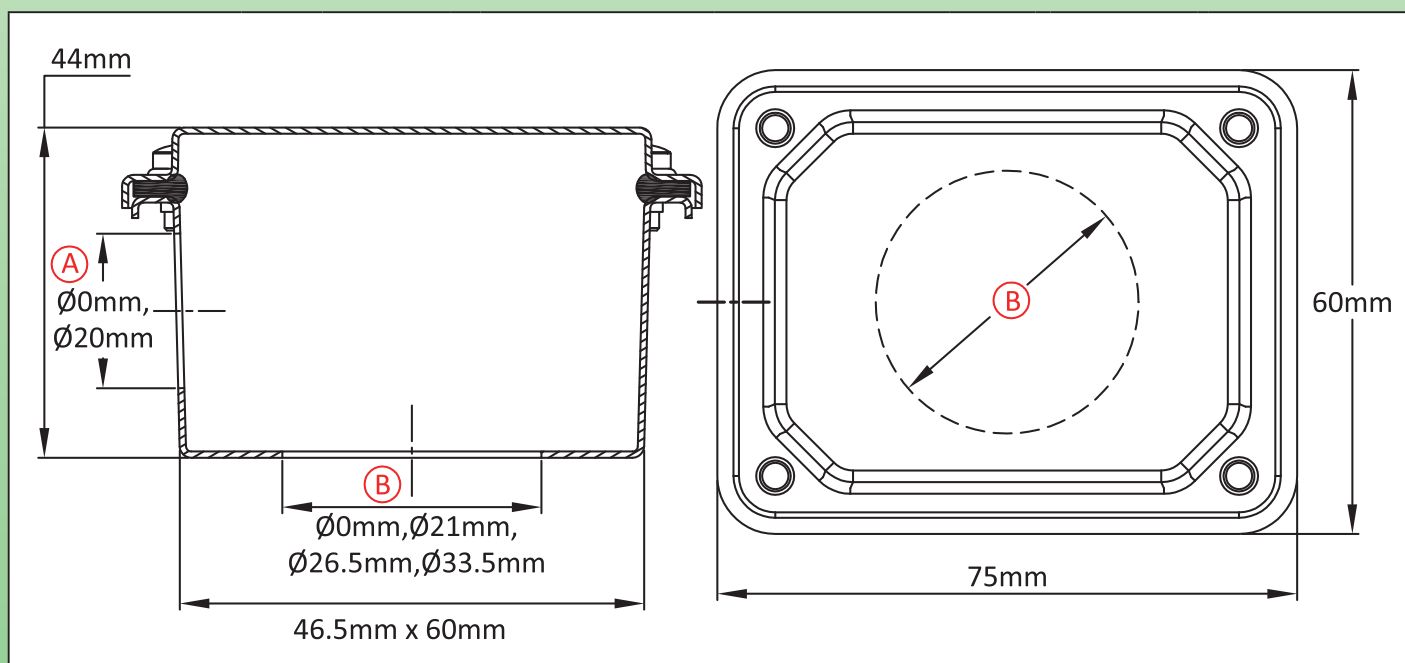


Miniature enclosure for temperature sensor or level sensor

Size(mm)	Volume(cm ³)	Material	Protection grade		Model
75 × 60 × 44	111	stainless steel	IP69K	IK7	Y3L1

Suitable for

- Temperature sensor
- Immersion heater
- Finned heater
- Thermostat
- Level sensor
- Electronic board



Main references

Ⓐ(mm)	Ⓑ(mm)	304	316
0	0	Y3L1000000000008	Y3L1000000000009
0	21	Y3L1210000000008	Y3L1210000000009
0	26.5	Y3L1265000000008	Y3L1265000000009
0	33.5	Y3L1335000000008	Y3L1335000000009
20	0	Y3L1000120000008	Y3L1000120000009
20	21	Y3L1210120000008	Y3L1210120000009
20	26.5	Y3L1265120000008	Y3L1265120000009
20	33.5	Y3L1335120000008	Y3L1335120000009

Links

	Page (.pdf)
	Drawing 2D (.dwg)
	Drawing 3D (.stp)

Cable gland not included in these reference, consult us if you want them.

Red dimensions inside rectangular frames are used for accessories assembly.