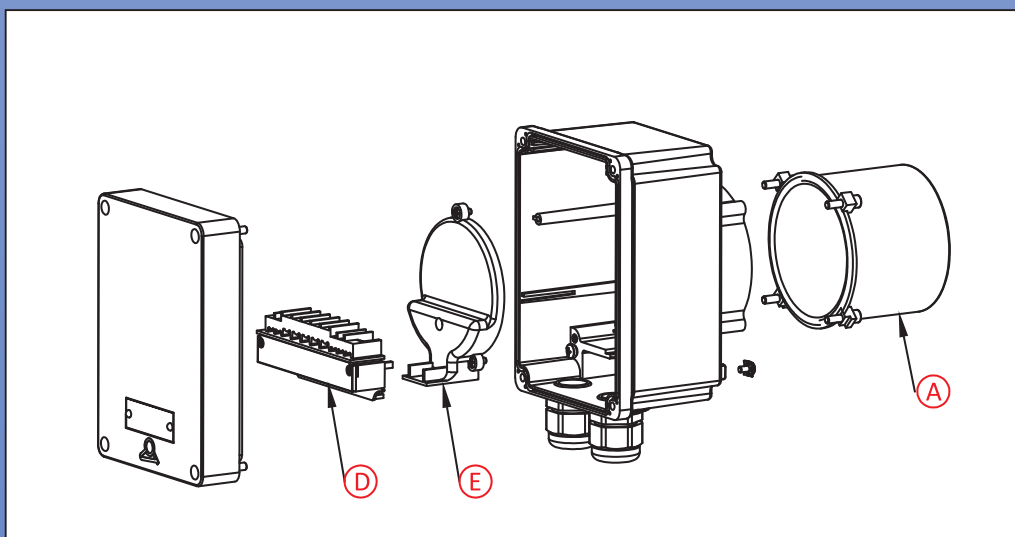
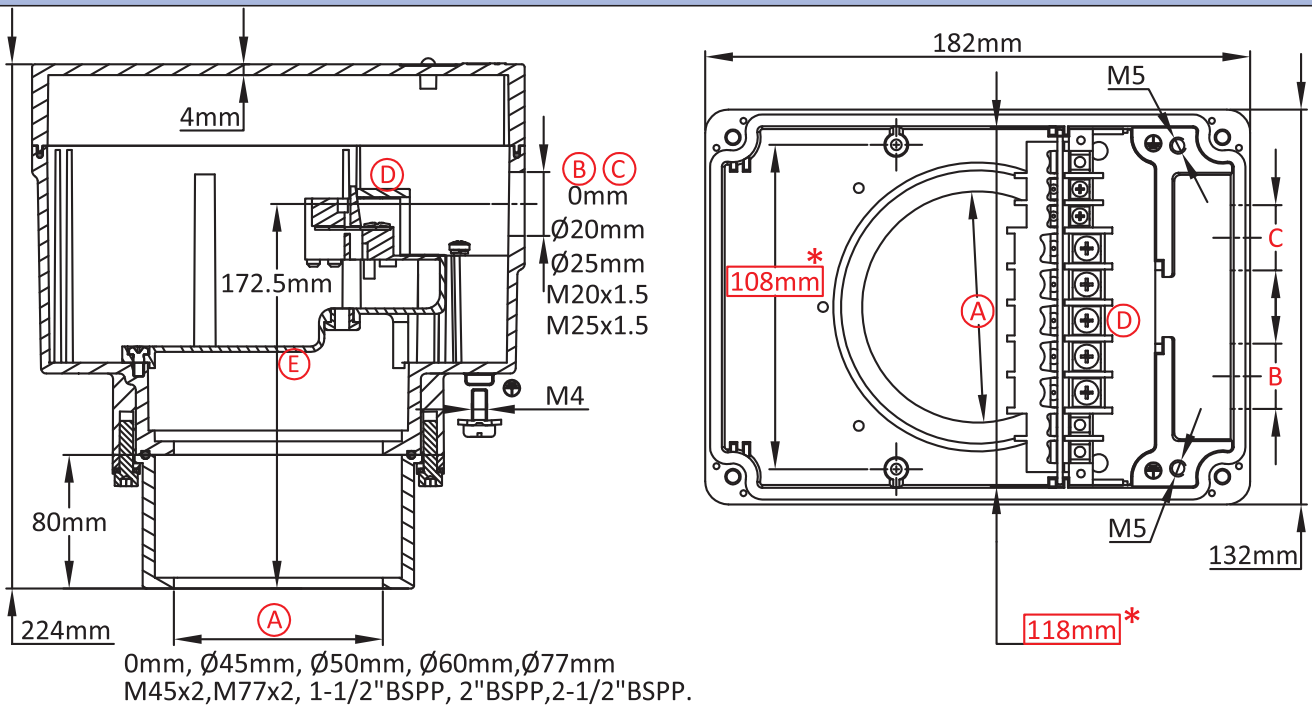


All aluminum enclosure, with polycarbonate plain cover, for immersion heater with high 120mm offset fitting

Size(mm)	Volume(cm ³)	Material	Protection grade		Model
182 x 132 x 225	3426	Aluminum	IP69K	IK10	Y310 (P1)

Suitable for

- Temperature sensor
- Immersion heater
- Finned heater
- Thermostat
- Level sensor
- Electronic board



Links



Page
(.pdf)



Drawing 2D
(.dwg)



Drawing 3D
(.stp)

Cable gland not included in these reference, consult us if you want them.

Red dimensions inside rectangular frames are used for accessories assembly.

All aluminum enclosure, with polycarbonate plain cover, for immersion heater with high 120mm offset fitting

Y310
(P2)

Main references

Ⓐ(mm)	Ⓑ(mm)	Ⓒ(mm)	Not painted	Painted	Ⓐ(mm)	Ⓑ(mm)	Ⓒ(mm)	Not painted	Painted
0	0	0	Y310000000J1007	Y310000000J100G	M45x2	0	0	Y310M450000J1007	Y310M450000J100G
0	20	0	Y3100000120J1007	Y3100000120J100G	M45x2	20	0	Y310M450120J1007	Y310M450120J100G
0	20	20	Y3100000220J1007	Y3100000220J100G	M45x2	20	20	Y310M450220J1007	Y310M450220J100G
0	25	0	Y3100000125J1007	Y3100000125J100G	M45x2	25	0	Y310M450125J1007	Y310M450125J100G
0	25	25	Y3100000225J1007	Y3100000225J100G	M45x2	25	25	Y310M450225J1007	Y310M450225J100G
0	M20x1.5	0	Y31000001T0J1007	Y31000001T0J100G	M45x2	M20x1.5	0	Y310M4501T0J1007	Y310M4501T0J100G
0	M20x1.5	M20x1.5	Y31000002T0J1007	Y31000002T0J100G	M45x2	M20x1.5	M20x1.5	Y310M4502T0J1007	Y310M4502T0J100G
0	M25x1.5	0	Y31000001T5J1007	Y31000001T5J100G	M45x2	M25x1.5	0	Y310M4501T5J1007	Y310M4501T5J100G
0	M25x1.5	M25x1.5	Y31000002T5J1007	Y31000002T5J100G	M45x2	M25x1.5	M25x1.5	Y310M4502T5J1007	Y310M4502T5J100G
45	0	0	Y310450000J1007	Y310450000J100G	M77x2	0	0	Y310M770000J1007	Y310M770000J100G
45	20	0	Y3104500120J1007	Y3104500120J100G	M77x2	20	0	Y310M770120J1007	Y310M770120J100G
45	20	20	Y3104500220J1007	Y3104500220J100G	M77x2	20	20	Y310M770220J1007	Y310M770220J100G
45	25	0	Y3104500125J1007	Y3104500125J100G	M77x2	25	0	Y310M770125J1007	Y310M770125J100G
45	25	25	Y3104500225J1007	Y3104500225J100G	M77x2	25	25	Y310M770225J1007	Y310M770225J100G
45	M20x1.5	0	Y31045001T0J1007	Y31045001T0J100G	M77x2	M20x1.5	0	Y310M7701T0J1007	Y310M7701T0J100G
45	M20x1.5	M20x1.5	Y31045002T0J1007	Y31045002T0J100G	M77x2	M20x1.5	M20x1.5	Y310M7702T0J1007	Y310M7702T0J100G
45	M25x1.5	0	Y31045001T5J1007	Y31045001T5J100G	M77x2	M25x1.5	0	Y310M7701T5J1007	Y310M7701T5J100G
45	M25x1.5	M25x1.5	Y31045002T5J1007	Y31045002T5J100G	M77x2	M25x1.5	M25x1.5	Y310M7702T5J1007	Y310M7702T5J100G
50	0	0	Y310500000J1007	Y310500000J100G	1½"BSPP	0	0	Y310BA2000J1007	Y310BA2000J100G
50	20	0	Y3105000120J1007	Y3105000120J100G	1½"BSPP	20	0	Y310BA20120 J1007	Y310BA20120 J100G
50	20	20	Y3105000220J1007	Y3105000220J100G	1½"BSPP	20	20	Y310BA20220J1007	Y310BA20220J100G
50	25	0	Y3105000125J1007	Y3105000125J100G	1½"BSPP	25	0	Y310BA20125J1007	Y310BA20125J100G
50	25	25	Y3105000225J1007	Y3105000225J100G	1½"BSPP	25	25	Y310BA20225J1007	Y310BA20225J100G
50	M20x1.5	0	Y31050001T0J1007	Y31050001T0J100G	1½"BSPP	M20x1.5	0	Y310BA201T0J1007	Y310BA201T0J100G
50	M20x1.5	M20x1.5	Y31050002T0J1007	Y31050002T0J100G	1½"BSPP	M20x1.5	M20x1.5	Y310BA202T0J1007	Y310BA202T0J100G
50	M25x1.5	0	Y31050001T5J1007	Y31050001T5J100G	1½"BSPP	M25x1.5	0	Y310BA201T5J1007	Y310BA201T5J100G
50	M25x1.5	M25x1.5	Y31050002T5J1007	Y31050002T5J100G	1½"BSPP	M25x1.5	M25x1.5	Y310BA202T5J1007	Y310BA202T5J100G
60	0	0	Y310600000J1007	Y310600000J100G	2"BSPP	0	0	Y310BB2000J1007	Y310BB2000J100G
60	20	0	Y3106000120J1007	Y3106000120J100G	2"BSPP	20	0	Y310BB20120J1007	Y310BB20120J100G
60	20	20	Y3106000220J1007	Y3106000220J100G	2"BSPP	20	20	Y310BB20220J1007	Y310BB20220J100G
60	25	0	Y3106000125J1007	Y3106000125J100G	2"BSPP	25	0	Y310BB20125J1007	Y310BB20125J100G
60	25	25	Y3106000225J1007	Y3106000225J100G	2"BSPP	25	25	Y310BB20225J1007	Y310BB20225J100G
60	M20x1.5	0	Y31060001T0J1007	Y31060001T0J100G	2"BSPP	M20x1.5	0	Y310BB201T0J1007	Y310BB201T0J100G
60	M20x1.5	M20x1.5	Y31060002T0J1007	Y31060002T0J100G	2"BSPP	M20x1.5	M20x1.5	Y310BB202T0J1007	Y310BB202T0J100G
60	M25x1.5	0	Y31060001T5J1007	Y31060001T5J100G	2"BSPP	M25x1.5	0	Y310BB201T5J1007	Y310BB201T5J100G
60	M25x1.5	M25x1.5	Y31060002T5J1007	Y31060002T5J100G	2"BSPP	M25x1.5	M25x1.5	Y310BB202T5J1007	Y310BB202T5J100G
77	0	0	Y310770000J1007	Y310770000J100G	2½"BSPP	0	0	Y310BC2000J1007	Y310BC2000J100G
77	20	0	Y3107700120J1007	Y3107700120J100G	2½"BSPP	20	0	Y310BC20120J1007	Y310BC20120J100G
77	20	20	Y3107700220J1007	Y3107700220J100G	2½"BSPP	20	20	Y310BC20220 J1007	Y310BC20220J100G
77	25	0	Y3107700125J1007	Y3107700125J100G	2½"BSPP	25	0	Y310BC20125 J1007	Y310BC20125J100G
77	25	25	Y3107700225J1007	Y3107700225J100G	2½"BSPP	25	25	Y310BC20225 J1007	Y310BC20225J100G
77	M20x1.5	0	Y31077001T0J1007	Y31077001T0J100G	2½"BSPP	M20x1.5	0	Y310BC201T0 J1007	Y310BC201T0J100G
77	M20x1.5	M20x1.5	Y31077002T0J1007	Y31077002T0J100G	2½"BSPP	M20x1.5	M20x1.5	Y310BC202T0 J1007	Y310BC202T0 J100G
77	M25x1.5	0	Y31077001T5J1007	Y31077001T5J100G	2½"BSPP	M25x1.5	0	Y310BC201T5 J1007	Y310BC201T5J100G
77	M25x1.5	M25x1.5	Y31077002T5J1007	Y31077002T5J100G	2½"BSPP	M25x1.5	M25x1.5	Y310BC202T5 J1007	Y310BC202T5J100G

Because of permanent improvement of our products, drawings, descriptions, features used on these data sheets are for guidance only and can be modified without prior advice