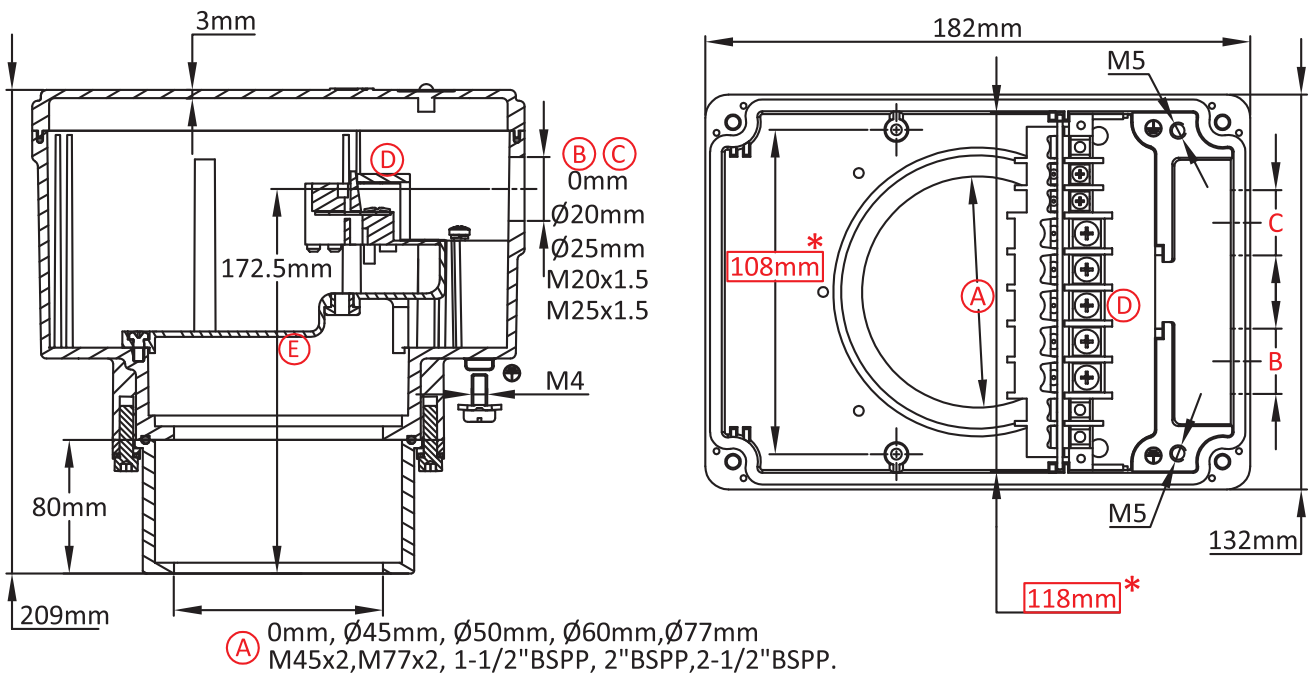


Composite aluminum and plastic enclosure, with polycarbonate plain cover, for immersion heater with high 120mm offset fitting

Size(mm)	Volume(cm ³)	Material	Protection grade		Model
182 x 132 x 210	3066	Aluminum + Polycarbonate	IP69K	IK10	Y3J1 (P1)

Suitable for

- Temperature sensor
- Immersion heater
- Finned heater
- Thermostat
- Level sensor
- Electronic board



Links



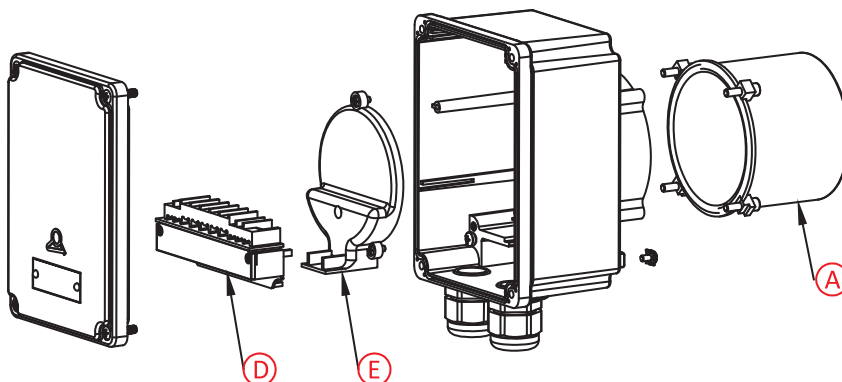
Page
(.pdf)



Drawing 2D
(.dwg)



Drawing 3D
(.stp)



Cable gland not included in these reference, consult us if you want them.

Red dimensions inside rectangular frames are used for accessories assembly.

Main references

A(mm)	B(mm)	C(mm)	Not painted	Painted	A(mm)	B(mm)	C(mm)	Not painted	Painted
0	0	0	Y3J1000000J1007	Y3J1000000J100G	M45x2	0	0	Y3J1M450000J1007	Y3J1M450000J100G
0	20	0	Y3J10000120J1007	Y3J10000120J100G	M45x2	20	0	Y3J1M450120J1007	Y3J1M450120J100G
0	20	20	Y3J10000220J1007	Y3J10000220J100G	M45x2	20	20	Y3J1M450220J1007	Y3J1M450220J100G
0	25	0	Y3J10000125J1007	Y3J10000125J100G	M45x2	25	0	Y3J1M450125J1007	Y3J1M450125J100G
0	25	25	Y3J10000225J1007	Y3J10000225J100G	M45x2	25	25	Y3J1M450225J1007	Y3J1M450225J100G
0	M20x1.5	0	Y3J100001T0J1007	Y3J100001T0J100G	M45x2	M20x1.5	0	Y3J1M4501T0J1007	Y3J1M4501T0J100G
0	M20x1.5	M20x1.5	Y3J100002T0J1007	Y3J100002T0J100G	M45x2	M20x1.5	M20x1.5	Y3J1M4502T0J1007	Y3J1M4502T0J100G
0	M25x1.5	0	Y3J100001T5J1007	Y3J100001T5J100G	M45x2	M25x1.5	0	Y3J1M4501T5J1007	Y3J1M4501T5J100G
0	M25x1.5	M25x1.5	Y3J100002T5J1007	Y3J100002T5J100G	M45x2	M25x1.5	M25x1.5	Y3J1M4502T5J1007	Y3J1M4502T5J100G
45	0	0	Y3J1450000J1007	Y3J1450000J100G	M77x2	0	0	Y3J1M770000J1007	Y3J1M770000J100G
45	20	0	Y3J14500120J1007	Y3J14500120J100G	M77x2	20	0	Y3J1M770120J1007	Y3J1M770120J100G
45	20	20	Y3J14500220J1007	Y3J14500220J100G	M77x2	20	20	Y3J1M770220J1007	Y3J1M770220J100G
45	25	0	Y3J14500125J1007	Y3J14500125J100G	M77x2	25	0	Y3J1M770125J1007	Y3J1M770125J100G
45	25	25	Y3J14500225J1007	Y3J14500225J100G	M77x2	25	25	Y3J1M770225J1007	Y3J1M770225J100G
45	M20x1.5	0	Y3J145001T0J1007	Y3J145001T0J100G	M77x2	M20x1.5	0	Y3J1M7701T0J1007	Y3J1M7701T0J100G
45	M20x1.5	M20x1.5	Y3J145002T0J1007	Y3J145002T0J100G	M77x2	M20x1.5	M20x1.5	Y3J1M7702T0J1007	Y3J1M7702T0J100G
45	M25x1.5	0	Y3J145001T5J1007	Y3J145001T5J100G	M77x2	M25x1.5	0	Y3J1M7701T5J1007	Y3J1M7701T5J100G
45	M25x1.5	M25x1.5	Y3J145002T5J1007	Y3J145002T5J100G	M77x2	M25x1.5	M25x1.5	Y3J1M7702T5J1007	Y3J1M7702T5J100G
50	0	0	Y3J1500000J1007	Y3J1500000J100G	1½"BSPP	0	0	Y3J1BA20000J1007	Y3J1BA20000J100G
50	20	0	Y3J15000120J1007	Y3J15000120J100G	1½"BSPP	20	0	Y3J1BA20120J1007	Y3J1BA20120J100G
50	20	20	Y3J15000220J1007	Y3J15000220J100G	1½"BSPP	20	20	Y3J1BA20220J1007	Y3J1BA20220J100G
50	25	0	Y3J15000125J1007	Y3J15000125J100G	1½"BSPP	25	0	Y3J1BA20125J1007	Y3J1BA20125J100G
50	25	25	Y3J15000225J1007	Y3J15000225J100G	1½"BSPP	25	25	Y3J1BA20225J1007	Y3J1BA20225J100G
50	M20x1.5	0	Y3J150001T0J1007	Y3J150001T0J100G	1½"BSPP	M20x1.5	0	Y3J1BA201T0J1007	Y3J1BA201T0J100G
50	M20x1.5	M20x1.5	Y3J150002T0J1007	Y3J150002T0J100G	1½"BSPP	M20x1.5	M20x1.5	Y3J1BA202T0J1007	Y3J1BA202T0J100G
50	M25x1.5	0	Y3J150001T5J1007	Y3J150001T5J100G	1½"BSPP	M25x1.5	0	Y3J1BA201T5J1007	Y3J1BA201T5J100G
50	M25x1.5	M25x1.5	Y3J150002T5J1007	Y3J150002T5J100G	1½"BSPP	M25x1.5	M25x1.5	Y3J1BA202T5J1007	Y3J1BA202T5J100G
60	0	0	Y3J1600000J1007	Y3J1600000J100G	2"BSPP	0	0	Y3J1BB20000J1007	Y3J1BB20000J100G
60	20	0	Y3J16000120J1007	Y3J16000120J100G	2"BSPP	20	0	Y3J1BB20120J1007	Y3J1BB20120J100G
60	20	20	Y3J16000220J1007	Y3J16000220J100G	2"BSPP	20	20	Y3J1BB20220J1007	Y3J1BB20220J100G
60	25	0	Y3J16000125J1007	Y3J16000125J100G	2"BSPP	25	0	Y3J1BB20125J1007	Y3J1BB20125J100G
60	25	25	Y3J16000225J1007	Y3J16000225J100G	2"BSPP	25	25	Y3J1BB20225J1007	Y3J1BB20225J100G
60	M20x1.5	0	Y3J160001T0J1007	Y3J160001T0J100G	2"BSPP	M20x1.5	0	Y3J1BB201T0J1007	Y3J1BB201T0J100G
60	M20x1.5	M20x1.5	Y3J160002T0J1007	Y3J160002T0J100G	2"BSPP	M20x1.5	M20x1.5	Y3J1BB202T0J1007	Y3J1BB202T0J100G
60	M25x1.5	0	Y3J160001T5J1007	Y3J160001T5J100G	2"BSPP	M25x1.5	0	Y3J1BB201T5J1007	Y3J1BB201T5J100G
60	M25x1.5	M25x1.5	Y3J160002T5J1007	Y3J160002T5J100G	2"BSPP	M25x1.5	M25x1.5	Y3J1BB202T5J1007	Y3J1BB202T5J100G
77	0	0	Y3J1770000J1007	Y3J1770000J100G	2½"BSPP	0	0	Y3J1BC20000J1007	Y3J1BC20000J100G
77	20	0	Y3J17700120J1007	Y3J17700120J100G	2½"BSPP	20	0	Y3J1BC20120J1007	Y3J1BC20120J100G
77	20	20	Y3J17700220J1007	Y3J17700220J100G	2½"BSPP	20	20	Y3J1BC20220J1007	Y3J1BC20220J100G
77	25	0	Y3J17700125J1007	Y3J17700125J100G	2½"BSPP	25	0	Y3J1BC20125J1007	Y3J1BC20125J100G
77	25	25	Y3J17700225J1007	Y3J17700225J100G	2½"BSPP	25	25	Y3J1BC20225J1007	Y3J1BC20225J100G
77	M20x1.5	0	Y3J177001T0J1007	Y3J177001T0J100G	2½"BSPP	M20x1.5	0	Y3J1BC201T0J1007	Y3J1BC201T0J100G
77	M20x1.5	M20x1.5	Y3J177002T0J1007	Y3J177002T0J100G	2½"BSPP	M20x1.5	M20x1.5	Y3J1BC202T0J1007	Y3J1BC202T0J100G
77	M25x1.5	0	Y3J177001T5J1007	Y3J177001T5J100G	2½"BSPP	M25x1.5	0	Y3J1BC201T5J1007	Y3J1BC201T5J100G
77	M25x1.5	M25x1.5	Y3J177002T5 J1007	Y3J177002T5J100G	2½"BSPP	M25x1.5	M25x1.5	Y3J1BC202T5J1007	Y3J1BC202T5J100G

Because of permanent improvement of our products, drawings, descriptions, features used on these data sheets are for guidance only and can be modified without prior advice