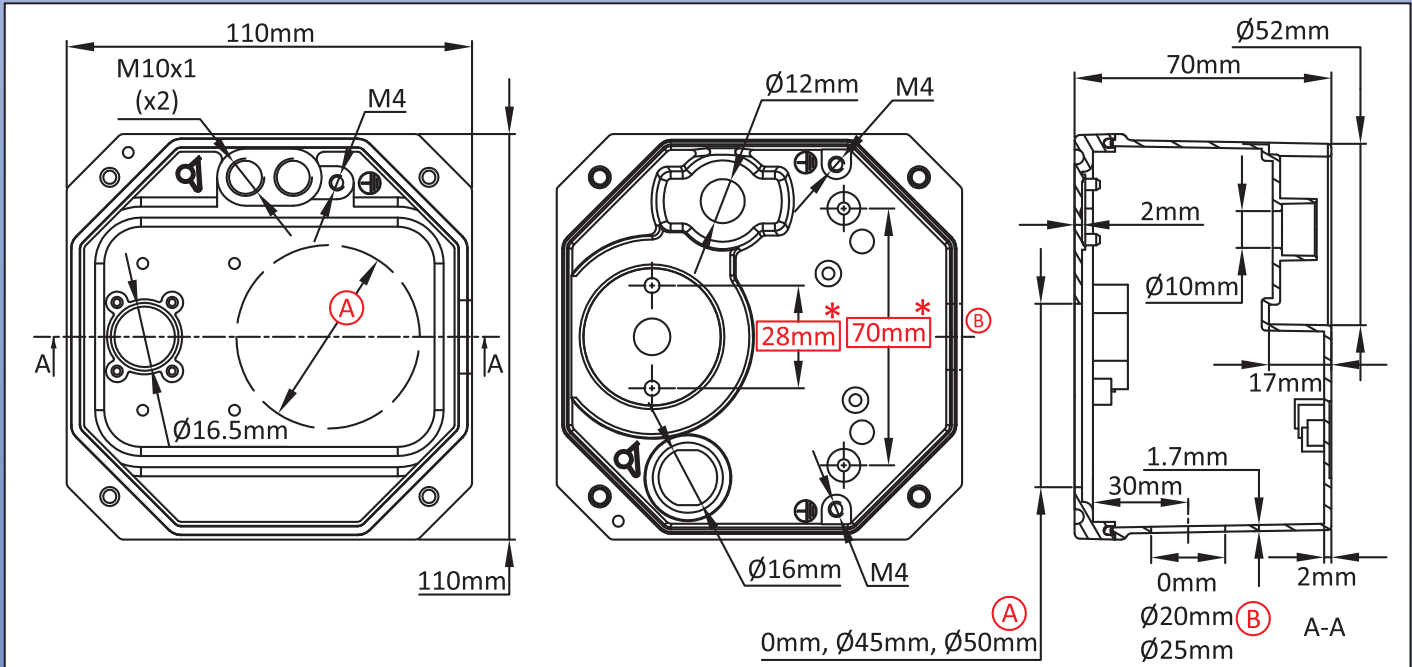
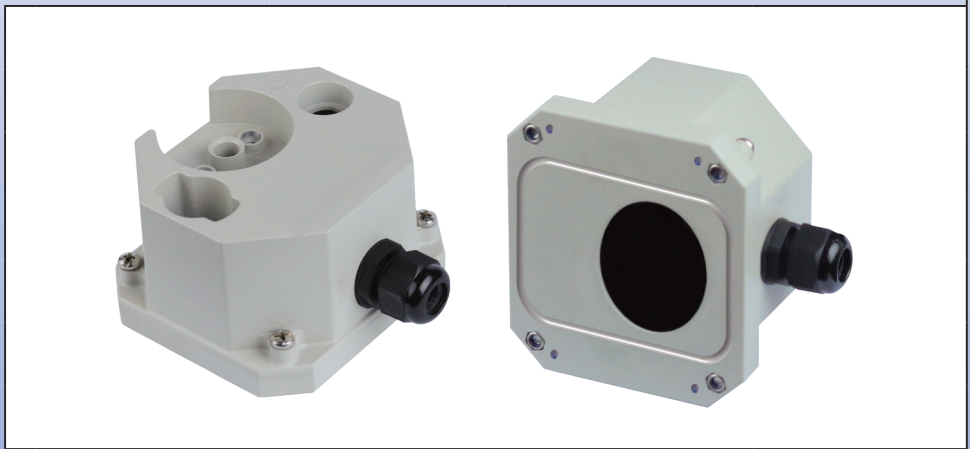


Medium size enclosure for immersion heater, finned heaters with external adjustment knob

Size(mm)	Volume(cm ³)	Material	Protection grade		Model
110 x 110 x 70	725	Aluminum	IP69K	IK10	Y3P4

Suitable for
<input type="checkbox"/> Temperature sensor
<input checked="" type="checkbox"/> Immersion heater
<input checked="" type="checkbox"/> Finned heater
<input checked="" type="checkbox"/> Thermostat
<input type="checkbox"/> Level sensor
<input type="checkbox"/> Electronic board



Main references

(A)(mm)	(B)(mm)	Not painted	Painted
0	0	Y3P4000000000007	Y3P4000000000000G
0	20	Y3P4000012000007	Y3P400001200000G
0	25	Y3P4000012500007	Y3P400001250000G
45	0	Y3P4450000000007	Y3P445000000000G
45	20	Y3P4450012000007	Y3P445001200000G
45	25	Y3P4450012500007	Y3P445001250000G
50	0	Y3P4500000000007	Y3P450000000000G
50	20	Y3P4500012000007	Y3P450001200000G
50	25	Y3P4500012500007	Y3P450001250000G

Links

	Page (.pdf)
	Drawing 2D (.dwg)
	Drawing 3D (.stp)

Cable gland not included in these reference, consult us if you want them.

Red dimensions inside rectangular frames are used for accessories assembly.

Because of permanent improvement of our products, drawings, descriptions, features used on these data sheets are for guidance only and can be modified without prior advice