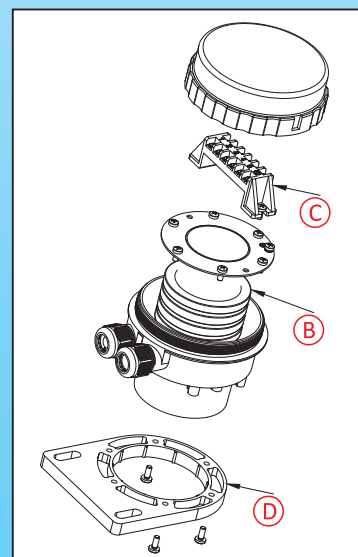
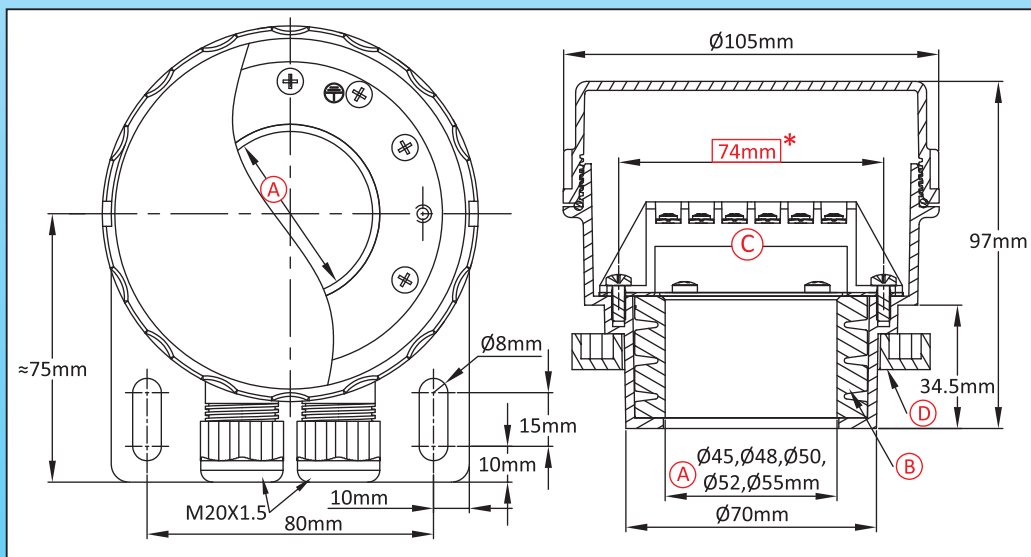


PVDF immersion heater enclosure for surface treatment baths and highly corrosive environments

Size(mm)	Volume(cm ³)	Material	Protection grade		Model
Dia. 105 x 95	663	PVDF	IP69K	IK10	Y3E6

Suitable for
<input type="checkbox"/> Temperature sensor
<input checked="" type="checkbox"/> Immersion heater
<input type="checkbox"/> Finned heater
<input checked="" type="checkbox"/> Thermostat
<input type="checkbox"/> Level sensor
<input type="checkbox"/> Electronic board



(A)(mm)	(B)	(D)	With connection block (C)	Without connection block (C)	(A)(mm)	(B)	(D)	With connection block (C)	Without connection block (C)
45	Silicone	✓	Y3E6450022BH40XT	Y3E6450022B000XT	50	FKM	×	Y3E6500022BH40WT	Y3E6500022B000WT
45	Silicone	×	Y3E6450022BH40UT	Y3E6450022B000UT	50	NBR	✓	Y3E6500022BH40YT	Y3E6500022B000YT
45	FKM	✓	Y3E6450022BH40ZT	Y3E6450022B000ZT	50	NBR	×	Y3E6500022BH40VT	Y3E6500022B000VT
45	FKM	×	Y3E6450022BH40WT	Y3E6450022B000WT	52	Silicone	✓	Y3E6520022BH40XT	Y3E6520022B000XT
45	NBR	✓	Y3E6450022BH40YT	Y3E6450022B000YT	52	Silicone	×	Y3E6520022BH40UT	Y3E6520022B000UT
45	NBR	×	Y3E6450022BH40VT	Y3E6450022B000VT	52	FKM	✓	Y3E6520022BH40ZT	Y3E6520022B000ZT
48	Silicone	✓	Y3E6480022BH40XT	Y3E6480022B000XT	52	FKM	×	Y3E6520022BH40WT	Y3E6520022B000WT
48	Silicone	×	Y3E6480022BH40UT	Y3E6480022B000UT	52	NBR	✓	Y3E6520022BH40YT	Y3E6520022B000YT
48	FKM	✓	Y3E6480022BH40ZT	Y3E6480022B000ZT	52	NBR	×	Y3E6520022BH40VT	Y3E6520022B000VT
48	FKM	×	Y3E6480022BH40WT	Y3E6480022B000WT	55	Silicone	✓	Y3E6550022BH40XT	Y3E6550022B000XT
48	NBR	✓	Y3E6480022BH40YT	Y3E6480022B000YT	55	Silicone	×	Y3E6550022BH40UT	Y3E6550022B000UT
48	NBR	×	Y3E6480022BH40VT	Y3E6480022B000VT	55	FKM	✓	Y3E6550022BH40ZT	Y3E6550022B000ZT
50	Silicone	✓	Y3E6500022BH40XT	Y3E6500022B000XT	55	FKM	×	Y3E6550022BH40WT	Y3E6550022B000WT
50	Silicone	×	Y3E6500022BH40UT	Y3E6500022B000UT	55	NBR	✓	Y3E6550022BH40YT	Y3E6550022B000YT
50	FKM	✓	Y3E6500022BH40ZT	Y3E6500022B000ZT	55	NBR	×	Y3E6550022BH40VT	Y3E6550022B000VT

Links

<p>Page (.pdf)</p>	<p>Drawing 2D (.dwg)</p>	<p>Drawing 3D (.stp)</p>
------------------------	------------------------------	------------------------------

Cable gland not included in these reference, consult us if you want them.

Red dimensions inside rectangular frames on drawings are used for accessories assembly.

Because of permanent improvement of our products, drawings, descriptions, features used on these data sheets are for guidance only and can be modified without prior advice