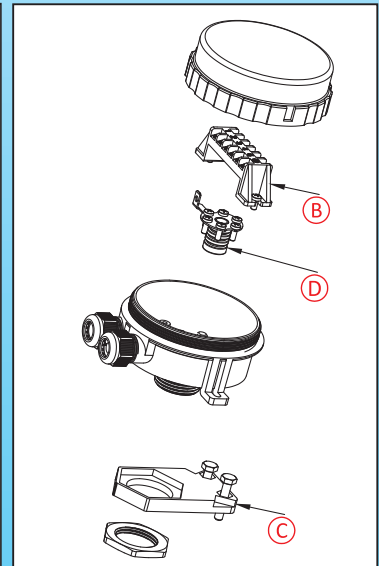
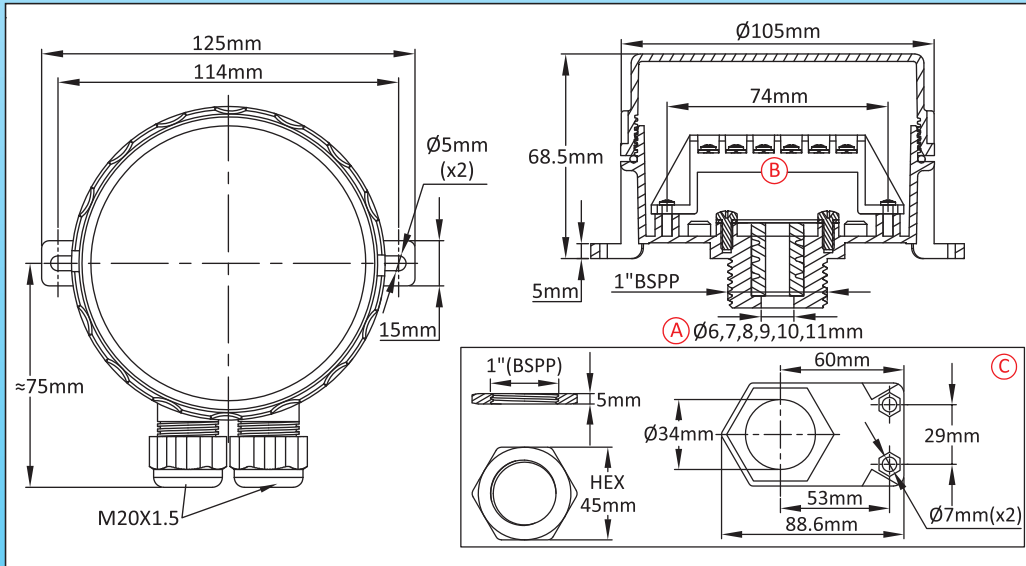
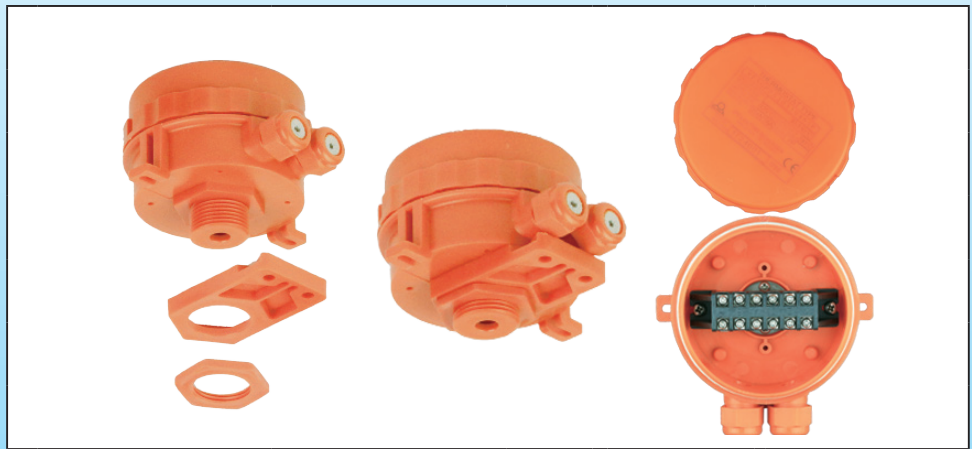


# Polypropylene temperature sensor enclosure for surface treatment baths and highly corrosive environments

Size(mm)	Volume(cm <sup>3</sup> )	Material	Protection grade		Model
Dia. 105 x 82	525	Polypropylène	IP69K	IK10	<b>Y3C8</b>

Suitable for
<input checked="" type="checkbox"/> Temperature sensor
<input type="checkbox"/> Immersion heater
<input type="checkbox"/> Finned heater
<input checked="" type="checkbox"/> Thermostat
<input checked="" type="checkbox"/> Level sensor
<input type="checkbox"/> Electronic board



## Main references

(A) (mm)	(D)	(C)	With connection block (B)	Without connection block (B)	(A) (mm)	(D)	(C)	With connection block (B)	Without connection block (B)
6	Silicone	√	Y3C8060022BH40XU	Y3C8060022B000XU	9	Silicone	√	Y3C8090022BH40XU	Y3C8090022B000XU
6	Silicone	×	Y3C8060022BH40UU	Y3C8060022B000UU	9	Silicone	×	Y3C8090022BH40UU	Y3C8090022B000UU
6	FKM	√	Y3C8060022BH40ZU	Y3C8060022B000ZU	9	FKM	√	Y3C8090022BH40ZU	Y3C8090022B000ZU
6	FKM	×	Y3C8060022BH40WU	Y3C8060022B000WU	9	FKM	×	Y3C8090022BH40WU	Y3C8090022B000WU
6	NBR	√	Y3C8060022BH40YU	Y3C8060022B000YU	9	NBR	√	Y3C8090022BH40YU	Y3C8090022B000YU
6	NBR	×	Y3C8060022BH40VU	Y3C8060022B000VU	9	NBR	×	Y3C8090022BH40VU	Y3C8090022B000VU
7	Silicone	√	Y3C8070022BH40XU	Y3C8070022B000XU	10	Silicone	√	Y3C8100022BH40XU	Y3C8100022B000XU
7	Silicone	×	Y3C8070022BH40UU	Y3C8070022B000UU	10	Silicone	×	Y3C8100022BH40UU	Y3C8100022B000UU
7	FKM	√	Y3C8070022BH40ZU	Y3C8070022B000ZU	10	FKM	√	Y3C8100022BH40ZU	Y3C8100022B000ZU
7	FKM	×	Y3C8070022BH40WU	Y3C8070022B000WU	10	FKM	×	Y3C8100022BH40WU	Y3C8100022B000WU
7	NBR	√	Y3C8070022BH40YU	Y3C8070022B000YU	10	NBR	√	Y3C8100022BH40YU	Y3C8100022B000YU
7	NBR	×	Y3C8070022BH40VU	Y3C8070022B000VU	10	NBR	×	Y3C8100022BH40VU	Y3C8100022B000VU
8	Silicone	√	Y3C8080022BH40XU	Y3C8080022B000XU	11	Silicone	√	Y3C8110022BH40XU	Y3C8110022B000XU
8	Silicone	×	Y3C8080022BH40UU	Y3C8080022B000UU	11	Silicone	×	Y3C8110022BH40UU	Y3C8110022B000UU
8	FKM	√	Y3C8080022BH40ZU	Y3C8080022B000ZU	11	FKM	√	Y3C8110022BH40ZU	Y3C8110022B000ZU
8	FKM	×	Y3C8080022BH40WU	Y3C8080022B000WU	11	FKM	×	Y3C8110022BH40WU	Y3C8110022B000WU
8	NBR	√	Y3C8080022BH40YU	Y3C8080022B000YU	11	NBR	√	Y3C8110022BH40YU	Y3C8110022B000YU
8	NBR	×	Y3C8080022BH40VU	Y3C8080022B000VU	11	NBR	×	Y3C8110022BH40VU	Y3C8110022B000VU

## Links

Page  
(.pdf)

Drawing  
2D  
(.dwg)

Drawing  
3D  
(.stp)

Cable gland not included in these reference, consult us if you want them.

Red dimensions inside rectangular frames on drawings are used for accessories assembly.