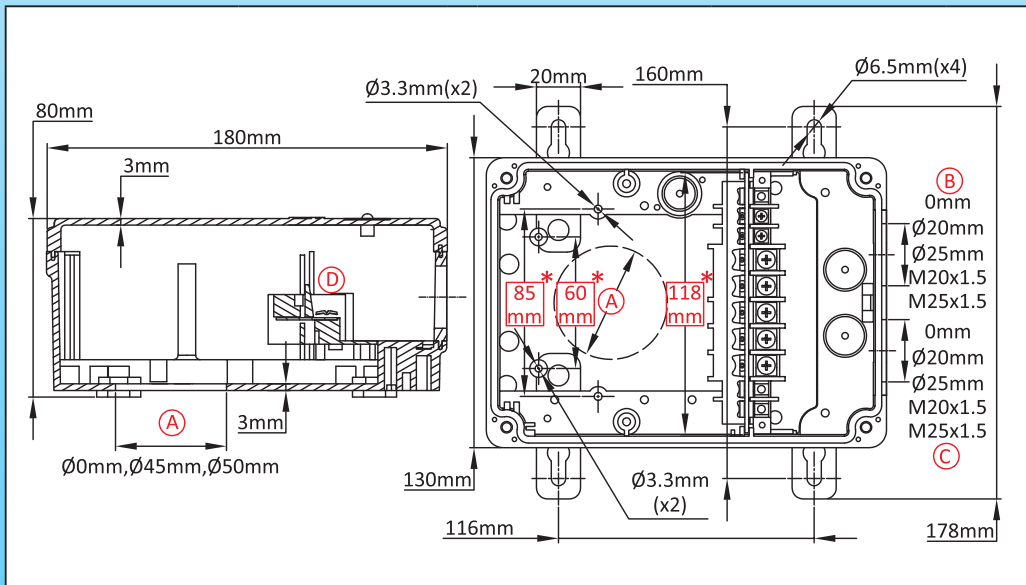
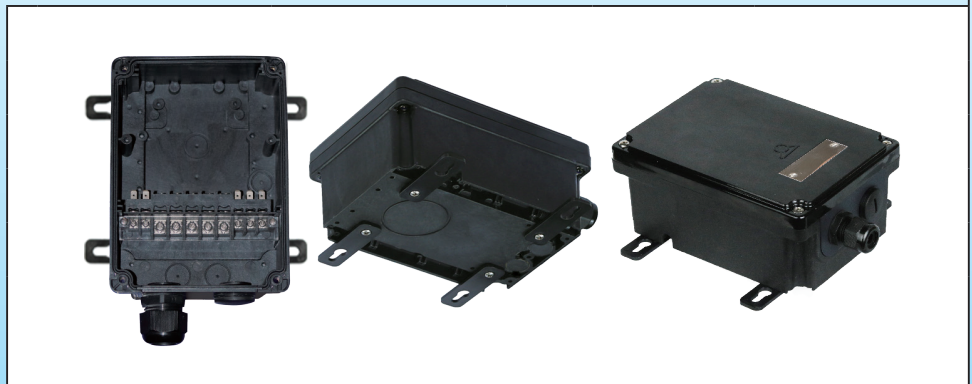


Enclosure for controls, connection, temperature sensor, thermostat, level sensor. Removable wall mounting legs

Size(mm)	Volume(cm ³)	Material	Protection grade		Model
130 X 180 X 80	1870	PA66	IP69K	IK10	Y3N1

Suitable for
<input type="checkbox"/> Temperature sensor
<input checked="" type="checkbox"/> Immersion heater
<input checked="" type="checkbox"/> Finned heater
<input checked="" type="checkbox"/> Thermostat
<input type="checkbox"/> Level sensor
<input checked="" type="checkbox"/> Electronic board



Links

Page
(.pdf)

Drawing 2D
(.dwg)

Drawing 3D
(.stp)

Main references

Ⓐ(mm)	Ⓑ(mm)	Ⓒ(mm)	With connection block Ⓓ	Without connection block Ⓔ	Ⓐ(mm)	Ⓑ(mm)	Ⓒ(mm)	With connection block Ⓓ	Without connection block Ⓔ
0	0	0	Y3N10000000J100T	Y3N100000000000T	45	20	20	Y3N14500220J100T	Y3N145002200000T
0	0	20	Y3N10000120J100T	Y3N100001200000T	45	25	25	Y3N14500225J100T	Y3N145002250000T
0	0	25	Y3N10000125J100T	Y3N100001250000T	45	M20x1.5	M20x1.5	Y3N145002T0J100T	Y3N145002T00000T
0	0	M20x1.5	Y3N100001T0J100T	Y3N100001T00000T	45	M25x1.5	M25x1.5	Y3N145002T5J100T	Y3N145002T50000T
0	0	M25x1.5	Y3N100001T5J100T	Y3N100001T50000T	50	0	0	Y3N15000000J100T	Y3N150000000000T
0	20	20	Y3N10000220J100T	Y3N100002200000T	50	0	20	Y3N15000120J100T	Y3N150001200000T
0	25	25	Y3N10000225J100T	Y3N100002250000T	50	0	25	Y3N15000125J100T	Y3N150001250000T
0	M20x1.5	M20x1.5	Y3N100002T0J100T	Y3N100002T00000T	50	0	M20x1.5	Y3N150001T0J100T	Y3N150001T00000T
0	M25x1.5	M25x1.5	Y3N100002T5J100T	Y3N100002T50000T	50	0	M25x1.5	Y3N150001T5J100T	Y3N150001T50000T
45	0	0	Y3N14500000J100T	Y3N145000000000T	50	20	20	Y3N15000220J100T	Y3N150002200000T
45	0	20	Y3N14500120J100T	Y3N145001200000T	50	25	25	Y3N15000225J100T	Y3N150002250000T
45	0	25	Y3N14500125J100T	Y3N145001250000T	50	M20x1.5	M20x1.5	Y3N150002T0J100T	Y3N150002T00000T
45	0	M20x1.5	Y3N145001T0J100T	Y3N145001T00000T	50	M25x1.5	M25x1.5	Y3N150002T5J100T	Y3N150002T50000T
45	0	M25x1.5	Y3N145001T5J100T	Y3N145001T50000T					

Cable gland not included in these reference, consult us if you want them.

Red dimensions inside rectangular frames on drawings are used for accessories assembly.