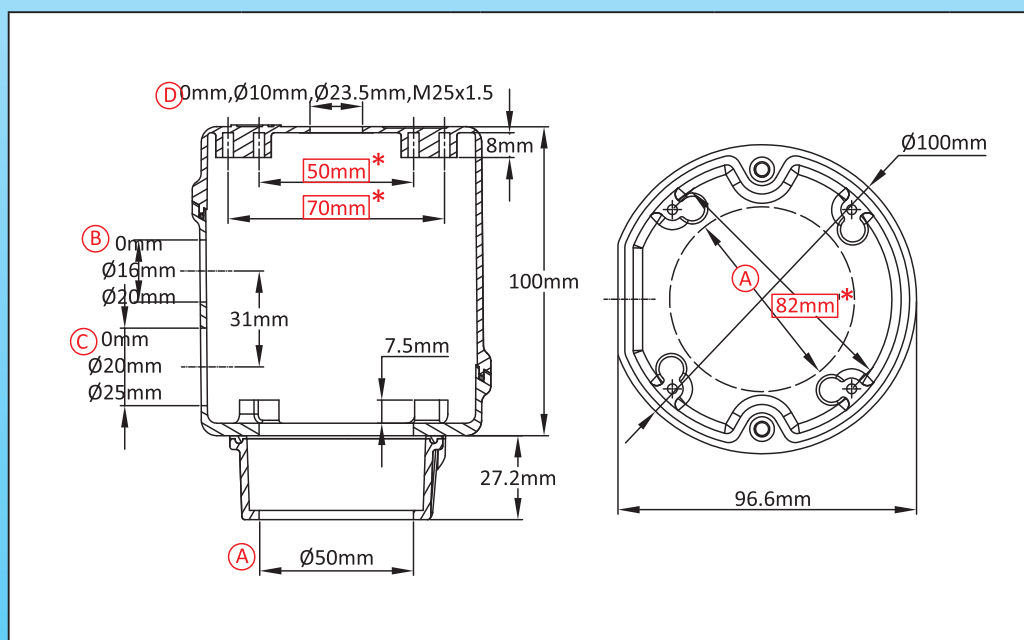


Round enclosure for immersion heater or temperature sensor with extension

Size(mm)	Volume(cm ³)	Material	Protection grade		Model
Dia. 100 X 125	783	PA66	IP69K	IK10	Y3C4

Suitable for

- Temperature sensor
- Immersion heater
- Finned heater
- Thermostat
- Level sensor
- Electronic board



Links



Page
(.pdf)



Drawing 2D
(.dwg)



Drawing 3D
(.stp)

Main references

Ⓐ(mm)	Ⓑ(mm)	Ⓒ(mm)	Ⓓ(mm)	References	Ⓐ(mm)	Ⓑ(mm)	Ⓒ(mm)	Ⓓ(mm)	References
50	0	0	0	Y3C45000000000T	50	16	20	0	Y3C450002C00000T
50	0	0	10	Y3C4500A0000000T	50	16	20	10	Y3C4500A2C00000T
50	0	0	23.5	Y3C4500D0000000T	50	16	20	23.5	Y3C4500D2C00000T
50	0	0	M25x1.5	Y3C4500F0000000T	50	16	20	M25x1.5	Y3C4500F2C00000T
50	0	20	0	Y3C450001200000T	50	16	25	0	Y3C450002C50000T
50	0	20	10	Y3C4500A1200000T	50	16	25	10	Y3C4500A2C50000T
50	0	20	23.5	Y3C4500D1200000T	50	16	25	23.5	Y3C4500D2C50000T
50	0	20	M25x1.5	Y3C4500F1200000T	50	16	25	M25x1.5	Y3C4500F2C50000T
50	0	25	0	Y3C450001250000T	50	20	20	0	Y3C450002200000T
50	0	25	10	Y3C4500A1250000T	50	20	20	10	Y3C4500A2200000T
50	0	25	23.5	Y3C4500D1250000T	50	20	20	23.5	Y3C4500D2200000T
50	0	25	M25x1.5	Y3C4500F1250000T	50	20	20	M25x1.5	Y3C4500F2200000T
50	16	0	0	Y3C450001160000T	50	20	25	0	Y3C450002D50000T
50	16	0	10	Y3C4500A1160000T	50	20	25	10	Y3C4500A2D50000T
50	16	0	23.5	Y3C4500D1160000T	50	20	25	23.5	Y3C4500D2D50000T
50	16	0	M25x1.5	Y3C4500F1160000T	50	20	25	M25x1.5	Y3C4500F2D50000T

Cable gland not included in these reference, consult us if you want them.

Red dimensions inside rectangular frames on drawings are used for accessories assembly.