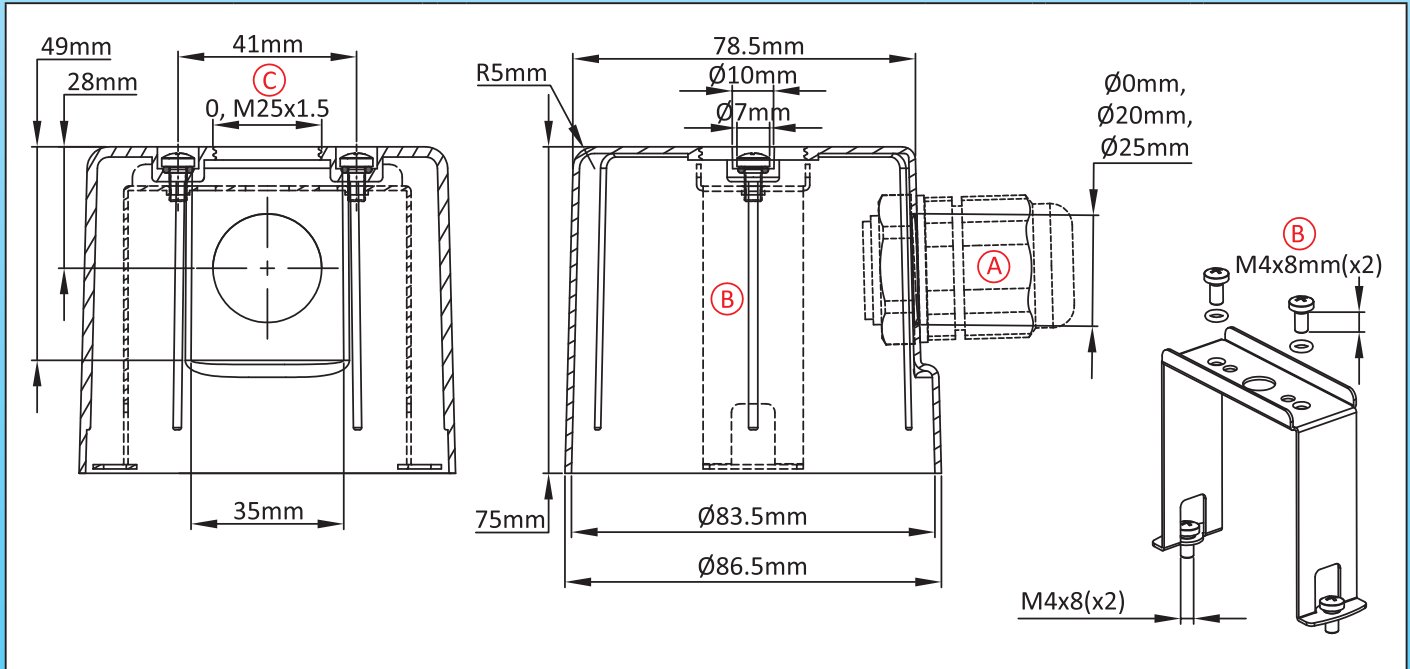


Simplified round enclosure for 2"1/2 and M77x2 fittings

Size(mm)	Volume(cm ³)	Material	Protection grade		Model
Dia. 86 × 75	416	PA66	IP69K	IK9	Y3C3

Suitable for

- Temperature sensor
- Immersion heater
- Finned heater
- Thermostat
- Level sensor
- Electronic board



Main references

Ⓐ (mm)	Ⓑ (mm)	Ⓒ (Avec étrier)	References
0	√	0	Y3C30000000E200T
0	√	M25x1.5	Y3C3000F000E200T
20	√	0	Y3C30000120E200T
20	√	M25x1.5	Y3C3000F120E200T
25	√	0	Y3C30000125E200T
25	√	M25x1.5	Y3C3000F125E200T

Links

	Page (.pdf)
	Drawing 2D (.dwg)
	Drawing 3D (.stp)

Cable gland not included in these reference, consult us if you want them.

Red dimensions inside rectangular frames on drawings are used for accessories assembly.