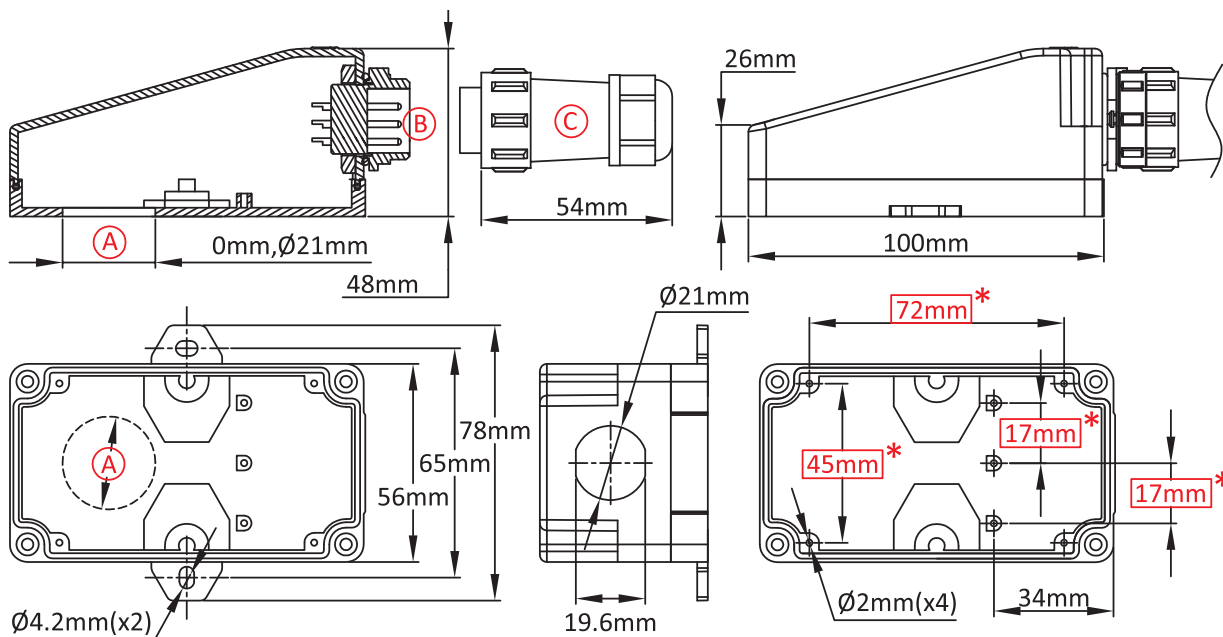


Miniature enclosure for temperature sensor, level sensor, electronic printed circuit or cartridge heater

Size(mm)	Volume(cm ³)	Material	Protection grade		Model
100 x 56 x 48	216	PA66	IP69K	IK10	Y3A4

Suitable for

- Temperature sensor
- Immersion heater
- Finned heater
- Thermostat
- Level sensor
- Electronic board



Main references

A (mm)	B	C	Without connection block
0	x	x	Y3A400001210000T
0	v	x	Y3A400001E80000T
0	v	v	Y3A400001E90000T
8	x	x	Y3A408001210000T
8	v	x	Y3A408001E80000T
8	v	v	Y3A408001E90000T
21	x	x	Y3A421001210000T
21	v	x	Y3A421001E80000T
21	v	v	Y3A421001E90000T

Links



Page
(.pdf)



Drawing 2D
(.dwg)



Drawing 3D
(.stp)

Others drilling diameters on request.

Red dimensions inside rectangular frames on drawings are used for accessories assembly.