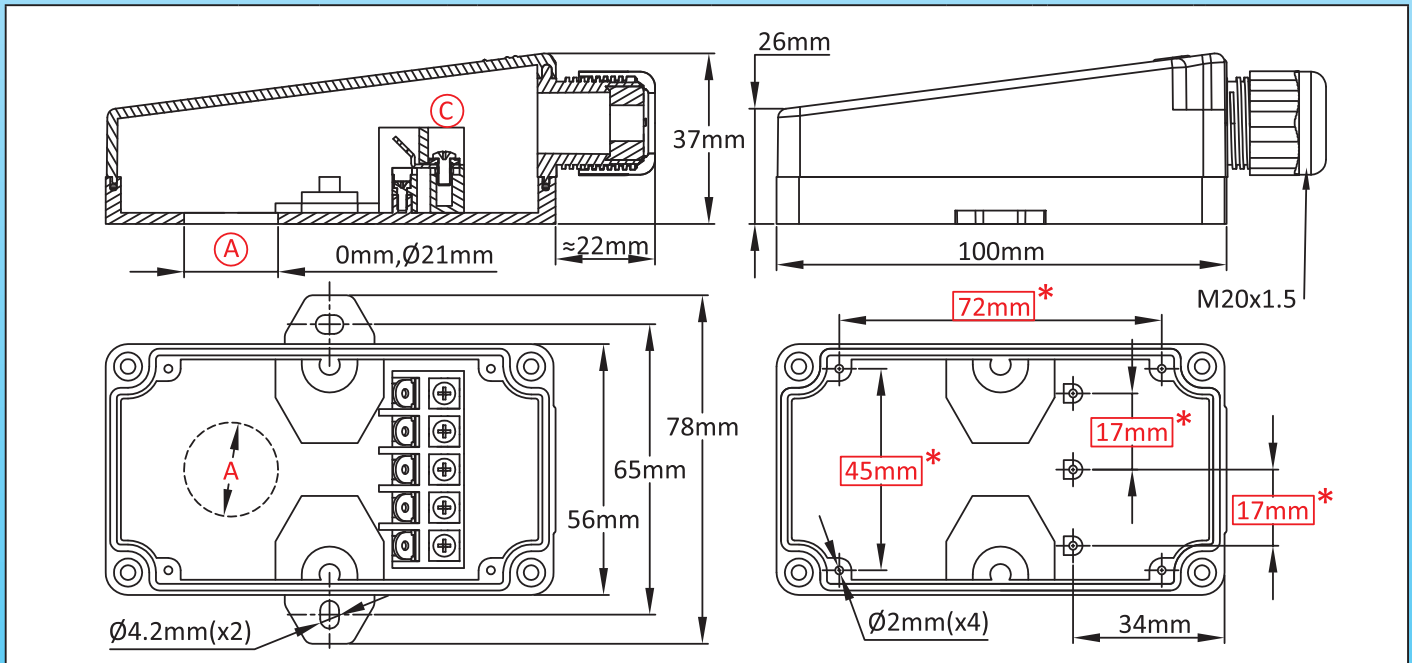
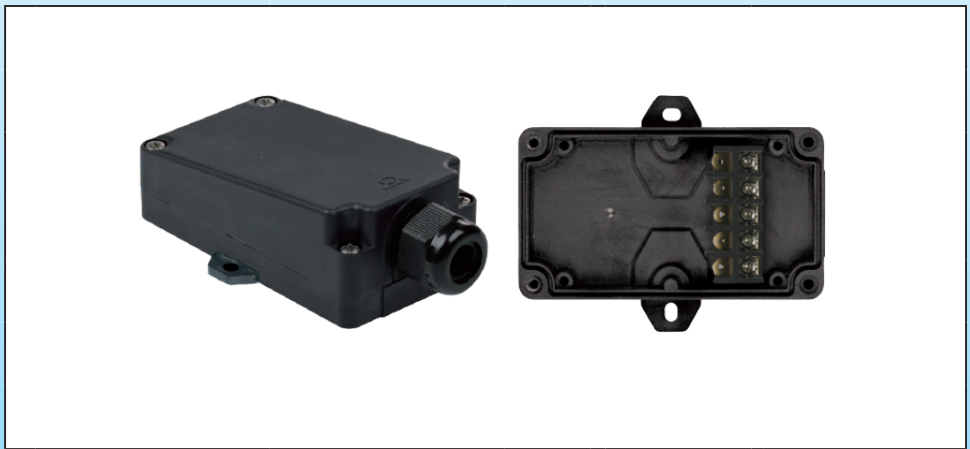


Miniature enclosure for temperature sensor, level sensor, electronic printed circuit or cartridge heater

Size(mm)	Volume(cm ³)	Material	Protection grade		Model
100 x 56 x 37	208	PA66	IP69K	IK10	Y3A3




Suitable for
<input checked="" type="checkbox"/> Temperature sensor
<input type="checkbox"/> Immersion heater
<input type="checkbox"/> Finned heater
<input type="checkbox"/> Thermostat
<input checked="" type="checkbox"/> Level sensor
<input checked="" type="checkbox"/> Electronic board



Main references

Ⓐ (mm)	With connection block Ⓒ	Without connection block Ⓒ
0	Y3A300001E0F100T	Y3A300001E00000T
8	Y3A308001E0F100T	Y3A308001E00000T
21	Y3A321001E0F100T	Y3A321001E00000T

Links

	Page (.pdf)
	Drawing 2D (.dwg)
	Drawing 3D (.stp)

Because of permanent improvement of our products, drawings, descriptions, features used on these data sheets are for guidance only and can be modified without prior advice

Others drilling diameters on request.

Red dimensions inside rectangular frames on drawings are used for accessories assembly.