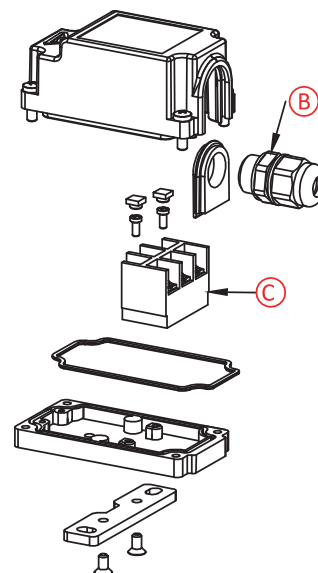
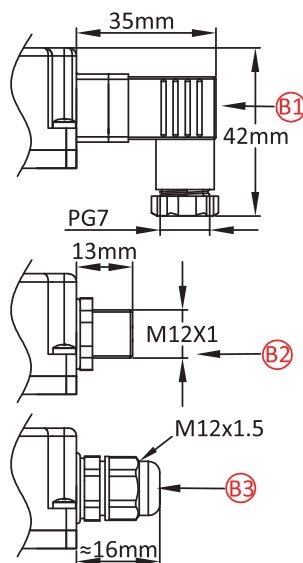
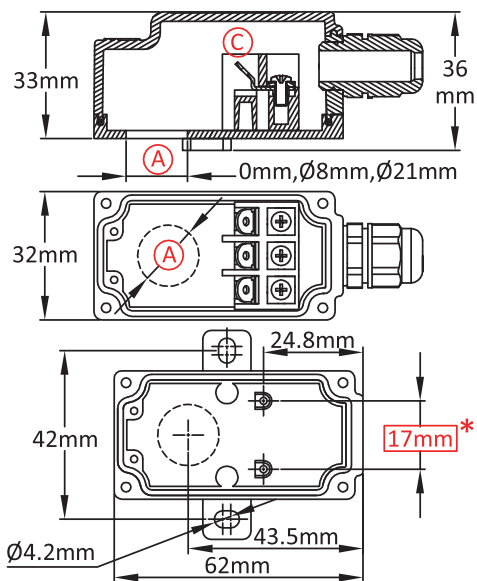


Sub-miniature enclosure for temperature sensor, level sensor, electronic printed circuit or cartridge heater, Removable wall mounting bracket

| Size(mm) | Volume(cm ³) | Material | Protection grade | | Model |
|--------------|--------------------------|----------|------------------|-----|-------------|
| 61 x 33 x 30 | 52 | PA66 | IPX4 | IK8 | Y3A1 |

Suitable for

- Temperature sensor
- Immersion heater
- Finned heater
- Thermostat
- Level sensor
- Electronic board



Main references

| (A) (mm) | (B1) | (B2) | (B3) | With connection block (C) | Without connection block (C) |
|----------|------|------|------|---------------------------|------------------------------|
| 0 | ✓ | × | × | Y3A100001E1F100T | Y3A100001E10000T |
| 0 | × | ✓ | × | Y3A100001E3F100T | Y3A100001E30000T |
| 0 | × | × | ✓ | Y3A100001E2F100T | Y3A100001E20000T |
| 8 | ✓ | × | × | Y3A108001E1F100T | Y3A108001E10000T |
| 8 | × | ✓ | × | Y3A108001E3F100T | Y3A108001E30000T |
| 8 | × | × | ✓ | Y3A108001E2F100T | Y3A108001E20000T |
| 21 | ✓ | × | × | Y3A121001E1F100T | Y3A121001E10000T |
| 21 | × | ✓ | × | Y3A121001E3F100T | Y3A121001E30000T |
| 21 | × | × | ✓ | Y3A121001E2F100T | Y3A121001E20000T |

Links



Page
(.pdf)



Drawing 2D
(.dwg)



Drawing 3D
(.stp)

Others drilling diameters on request.

Red dimensions inside rectangular frames on drawings are used for accessories assembly.