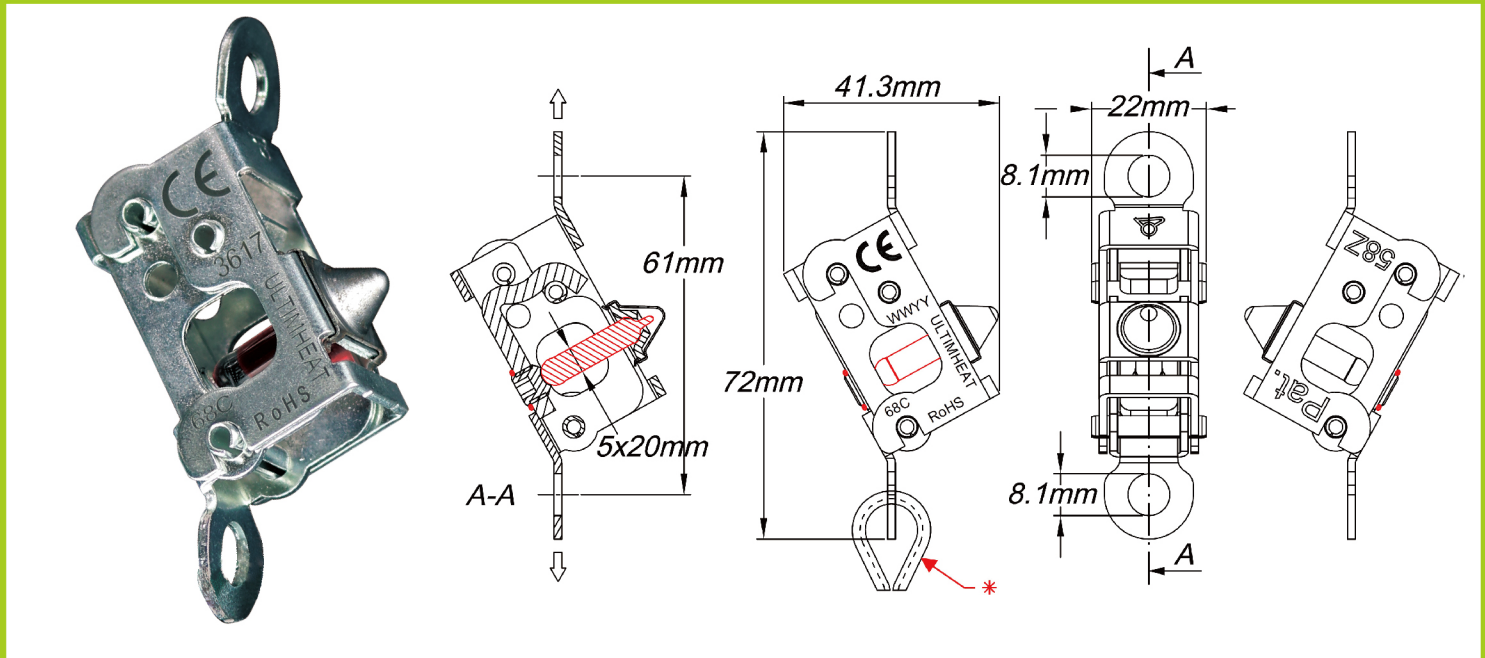


High load breakable glass bulb heat responsive link Type 58Z



Applications

Patented mechanical system of fire detection by liquid filled glass bulb breaking. In case of fire, when the temperature reaches the liquid boiling temperature, it causes the explosion of the glass bulb, which releases the mechanism. **This self-powered mechanism does not require power supply** such as electricity or compressed air. It can open smoke vents, skylights, in buildings, but also actuate fire doors, air conditioning dampers, store curtains, flammable gas or liquid valves, range hood exhausts, paint and solvent exhaust fans and dampers, etc.

Dimensions: Small foot print, can replace most of devices using fusible links. In addition, having a very high tensile strength, this device does not require a demultiplying system.

Creep sensitivity: Insensitive to creep, even close to the tripping temperature.

ROHS compliance: For most of temperature calibration, fusible fire detection systems cannot be achieved, as they use alloys containing lead and cadmium, materials that are not allowed by the RoHS standard. This glass bulb operated device does not use fusible alloy and therefore contains no prohibited metal and meets the RoHS standard.

Material: Galvanized steel.

Fail safe operation: When opening, the internal lever falls unhindered by any other part, irreversibly releasing the two halves of the mechanism.

This mechanism has no spring because, due to their susceptibility to corrosion and to permanent deformation, the use of springs may cause a malfunction.

Heat responsive bulbs: Glass, dia. 5mm, 20mm nominal length, filled with alcohols blends. They are protected against hits.

Response time index (RTI) of bare bulbs: 90 m.s^{1/2}

Maximum permanent load: 300 DaN

Tensile strength at break: ≈ 500 DaN

Minimum load: 10 DaN

Nominal opening temperatures: 57 °C (135 °F) orange bulb; 68 °C (155 °F) red; 79 °C (175 °F) yellow; 93 °C (200 °F) green; 141 °C (285 °F) blue; 182 °C (360 °F) mauve. The bulb coloring complies with EN 12259-1 and ISO 6182-1 international standards for color/temperature ratings. Other temperatures, consult us.

*** Options:** Rope thimble assembled on one hole. **Caution:** this thimble may be distorted by high loads

Mounting position: When used in vertical position, the glass bulb must be downside. No preferential position when mounted horizontally.

Glass bulb replacement: Replacement is possible, by using a locking pin, which must be removed after bulb replacement.

Certifications: according to ISO 10294-4.

Other types: for load ≤ 150 DaN, see 58L type






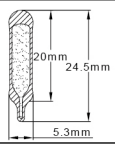
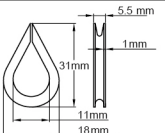
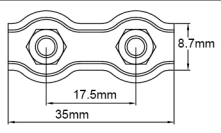
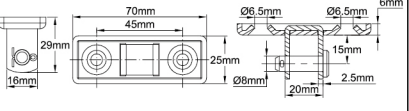
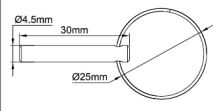
High load breakable glass bulb heat responsive link

Type 58Z(P2)

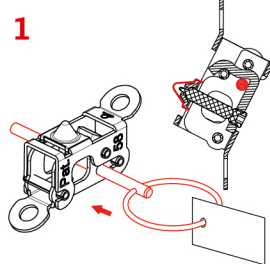
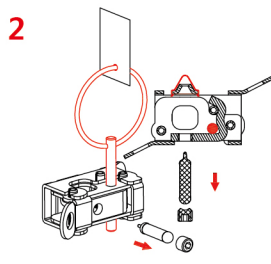
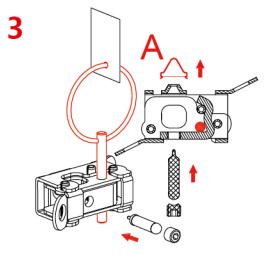
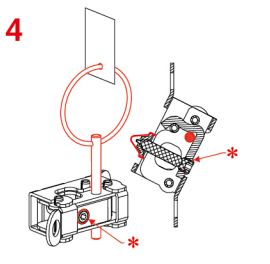
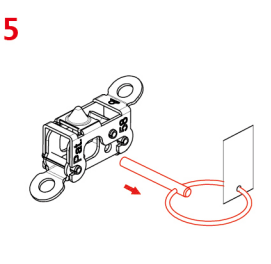
Main references

Temperature (°C/°F)	2 holes dia. 8mm, without rope thimble	2 holes dia. 8mm, downside with rope thimble
57°C (135°F)	58ZFA08300B057C0	58ZFA08300B057C1
68°C (155°F)	58ZFA08300B068C0	58ZFA08300B068C1
79°C (175°F)	58ZFA08300B079C0	58ZFA08300B079C1
93°C (200°F)	58ZFA08300B093C0	58ZFA08300B093C1
141°C (285°F)	58ZFA08300B141C0	58ZFA08300B141C1
182°C (360°F)	58ZFA08300B182C0	58ZFA08300B182C1

Accessories and spare parts

				 												
 Rope thimble (DIN6899A) for steel wire ropes dia. 3 to 3.5mm, 300 DaN max. load. (Packing unit 20p.)	 Rope clamp for steel wire ropes dia. 3 to 3.5mm, 300 DaN max. load. (Packing unit 10p.)	 Wall mounting board, 300 DaN max. load. (Packing unit 1p.)	 Safety pin for glass bulb replacement. (Packing unit 5p.)	Dia. 5 x 20mm glass bulb (Packing unit 50p. & 500p.)												
Zinc plated steel 6658RT034Z	Zinc plated steel 6658RC036Z	Zinc plated steel 6658RW035Z	6658PG001Z	<table border="1"> <tbody> <tr> <td>57°C (135°F)</td> <td>6658ZGB057</td> </tr> <tr> <td>68°C (155°F)</td> <td>6658ZGB068</td> </tr> <tr> <td>79°C (175°F)</td> <td>6658ZGB079</td> </tr> <tr> <td>93°C (200°F)</td> <td>6658ZGB093</td> </tr> <tr> <td>141°C (285°F)</td> <td>6658ZGB141</td> </tr> <tr> <td>182°C (360°F)</td> <td>6658ZGB182</td> </tr> </tbody> </table>	57°C (135°F)	6658ZGB057	68°C (155°F)	6658ZGB068	79°C (175°F)	6658ZGB079	93°C (200°F)	6658ZGB093	141°C (285°F)	6658ZGB141	182°C (360°F)	6658ZGB182
57°C (135°F)	6658ZGB057															
68°C (155°F)	6658ZGB068															
79°C (175°F)	6658ZGB079															
93°C (200°F)	6658ZGB093															
141°C (285°F)	6658ZGB141															
182°C (360°F)	6658ZGB182															

Replacement of glass bulb (When requested by preventive maintenance rules)

				
<p>Glass bulb replacement must be made by trained technicians. Only genuine glass bulbs with the same calibration temperature must be used.</p> <p>1/ Check the reference printed on the product (58Z or 58L). Secure the link with this pin before and during glass bulb replacement.</p>	<p>2/ Remove the screw with hexagonal key wrench. Size is 2.5mm for 58L, and 1/8 inch. (3.17mm) for 58Z. Remove the old glass bulb.</p>	<p>3/ Put carefully a new glass bulb inside (Dia. 5 mm for 58Z or dia. 2mm for the 58L). Put the screw and tighten lightly it by hand. Don't break the bulb filling needle. If any doubt, unclips the bulb needle cap (A) with a small screw driver, and check visually that the filling needle is not broken. Do not miss to clips again the cap after inspection.</p>	<p>4/ Tighten the screw with a torque controlled wrench. (Torque must be 0.5 to 0.6 N.m. for 58Z, and 0.25 to 0.4N.m for 58L)</p> <p>Seal the screw thread* with a low strength sealant like Loctite 222. Be careful to not glue the lever to the frame with excess sealant.</p>	<p>5/ Important: Don't miss to remove the safety pin when you have finished.</p>