

Probe temperature sensor, with high corrosion resistance IP66 housing, specifically designed for surface treatment baths, and highly basic or acid corrosive liquids or environments. Type TY (P2)

Main references with SS 316L rod, coated with shrunk PTFE




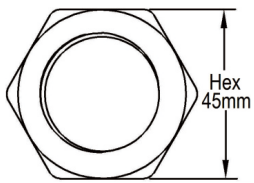
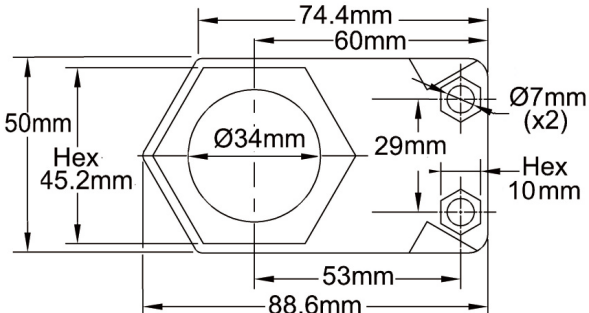
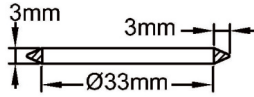
Temperature sensor	Probe length (L, mm)	Black PA66 housing	Orange PP housing	White PVDF housing
NTC (10KOhms @25°C)	230	TYN2NN000120231P	TYN2PP000120231P	TYN2VV000120231P
NTC (10KOhms @25°C)	300	TYN2NN000120301P	TYN2PP000120301P	TYN2VV000120301P
NTC (10KOhms @25°C)	450	TYN2NN000120451P	TYN2PP000120451P	TYN2VV000120451P
NTC (10KOhms @25°C)	600	TYN2NN000120601P	TYN2PP000120601P	TYN2VV000120601P
NTC (10KOhms @25°C)	800	TYN2NN000120801P	TYN2PP000120801P	TYN2VV000120801P
Pt100	230	TYSANN000120231P	TYSAPP000120231P	TYSAVV000120231P
Pt100	300	TYSANN000120301P	TYSAPP000120301P	TYSAVV000120301P
Pt100	450	TYSANN000120451P	TYSAPP000120451P	TYSAVV000120451P
Pt100	600	TYSANN000120601P	TYSAPP000120601P	TYSAVV000120601P
Pt100	800	TYSANN000120801P	TYSAPP000120801P	TYSAVV000120801P
Pt1000	230	TYBANN000120231P	TYBAPP000120231P	TYBAVV000120231P
Pt1000	300	TYBANN000120301P	TYBAPP000120301P	TYBAVV000120301P
Pt1000	450	TYBANN000120451P	TYBAPP000120451P	TYBAVV000120451P
Pt1000	600	TYBANN000120601P	TYBAPP000120601P	TYBAVV000120601P
Pt1000	800	TYBANN000120801P	TYBAPP000120801P	TYBAVV000120801P
Thermocouple J	230	TYCONN000120231P	TYCOPP000120231P	TYCOVV000120231P
Thermocouple J	300	TYCONN000120301P	TYCOPP000120301P	TYCOVV000120301P
Thermocouple J	450	TYCONN000120451P	TYCOPP000120451P	TYCOVV000120451P
Thermocouple J	600	TYCONN000120601P	TYCOPP000120601P	TYCOVV000120601P
Thermocouple J	800	TYCONN000120801P	TYCOPP000120801P	TYCOVV000120801P
Thermocouple K	230	TYP0NN000120231P	TYP0PP000120231P	TYP0VV000120231P
Thermocouple K	300	TYP0NN000120301P	TYP0PP000120301P	TYP0VV000120301P
Thermocouple K	450	TYP0NN000120451P	TYP0PP000120451P	TYP0VV000120451P
Thermocouple K	600	TYP0NN000120601P	TYP0PP000120601P	TYP0VV000120601P
Thermocouple K	800	TYP0NN000120801P	TYP0PP000120801P	TYP0VV000120801P

References modification vs probe coating options

316L without coating	316L-Ti without coating	Titanium	316L+ FEP 0.2 ~ 0.4mm*	316L+ PFA 0.2 ~ 0.4mm*	316L+ PTFE 0.05 ~ 0.1mm*	316L+ ETFE 0.2 ~ 0.4mm*
xxxxxxxxxxxxxxU	xxxxxxxxxxxxxxV	xxxxxxxxxxxxxxW	xxxxxxxxxxxxxxQ	xxxxxxxxxxxxxxR	xxxxxxxxxxxxxxS	xxxxxxxxxxxxxxT

* MOQ 100 pieces

Accessories

1" BSPP Nut, thickness 5mm	10mm thickness Bracket for tank side mounting (Its assembly is made with 1" nut)	1" gasket for through wall waterproof mounting with 1" nut
		
		
Reference in PA66: 66YFHN1N	Reference in PA66: 66YFMB1N	Reference in FKM (Viton): 66YGA1F
Reference in PP: 66YFHN1P	Reference in PP: 66YFMB1P	Reference in NBR: 66YGA1R
Reference in PVDF: 66YHN1V	Reference in PVDF: 66YFMB1V	

Because of permanent improvement of our products, drawings, descriptions, features used on these data sheets are for guidance only and can be modified without prior advice