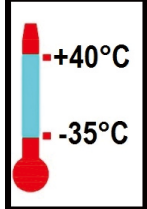
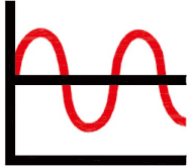
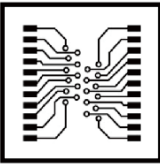
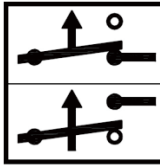

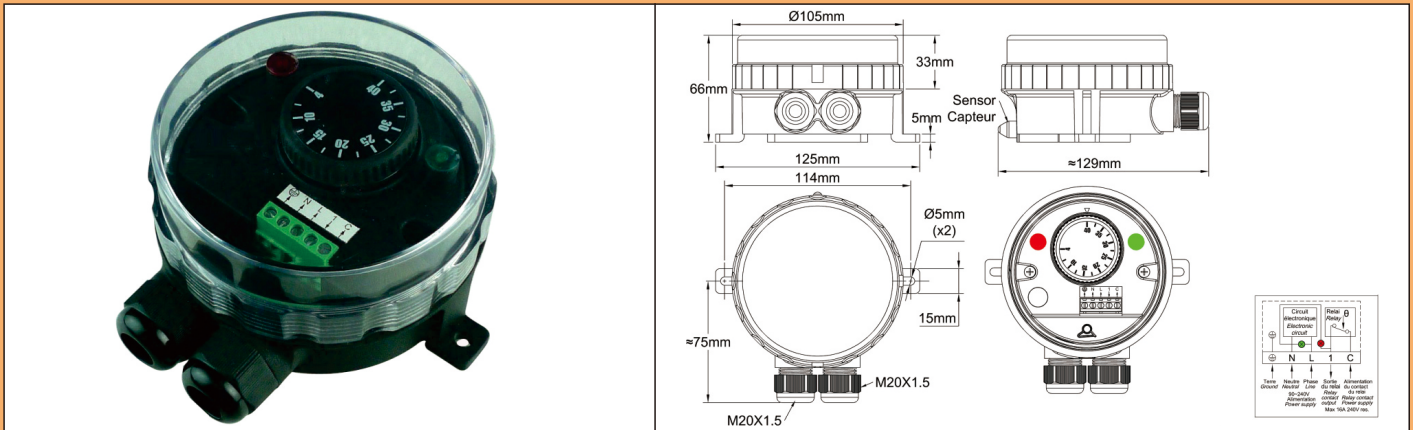


Electronic room thermostats

Enclosure	Type	Operation	Contact	Measurement	Ranges °C	Models
IP66, IK10	Control	Electronic	SPNO or SPNC	Ambient		YF62NC & YF64NC
Material						
PA66 & PC						



Applications

- **Equipment requesting a very strong resistance to water ingress. The transparent cover allows to visualize the set point and the 2 pilot lights.**

- Wall mounting for indoor or outdoor temperature control of cold rooms.
- Temperature control of industrial or commercial premises.
- Outdoor temperature control of antifreeze heaters.
- Green houses and livestock stables temperature control.

- **Very small differential**

Housing: Protection class IP 66 upon EN 60529 (waterproof spray water under high pressure and sea splashes, totally dust tight). Body in black PA66, fiber glass reinforced. The transparent polycarbonate cover can be unscrewed by hand, but it is also possible to use a hook spanner. Mechanical impact resistance : IK10. High UV resistance.

Set point adjustment: By °C printed knob. All types have an adjustable rotation limit system located inside the knob that allows reducing the set point adjustment span. °F printed knobs available as an option.

Operation: Microprocessor electronic thermostat,

Sensing element: NTC probe, mounted on the top of the plastic housing.

Pilot lights: One pilot light visualizes the thermostat contact output position. The other visualizes the power supply input. Phase and line 230V power supply is mandatory for these pilot lights.

Set point adjustment ranges: -35-35°C (-30+95°F), 0-10°C (32-50°F), 4-40°C (40-105°F).

Differential: Differential is preset at the minimum value, but can be increased with a potentiometer located under the set point adjustment knob.

Cable input and output: Two M20 cable glands, built-in black PA66.

Electrical connections: Inside, on screw terminal connection block. It is possible to connect 2 wires 1.5mm² on each terminal.

Earthing: Internal screw terminal.

Mounting: Wall mounting, by 2 legs with holes for screws dia. 4 to 5 mm, 114 mm distance.

Identification: Identification label on backside.

Contact: SPST, 16A (2.6), 250VAC. Open or close on temperature rise. Model with contact closing on temperature rise is used for refrigeration. Version with contact opening on temperature rise is used for heating.

Electrical life: >100.000 cycles.

Minimum storage temperature: -35°C (-30°F)

Maximum ambient temperature: 60°C (140°F)

For more technical information ask 2PE2N6 thermostat technical data sheet.

Main references

Temperature adjustment ranges °C (°F)	References with SPNC, open on temperature rise contact	References with SPNO, close on temperature rise contact	Minimum differential °C (°F)
-35+35°C (-30+95°F)	YF62NC350350000J	YF64NC350350000J	0,5~0,8°C (0,9~1,4°F)
0+10°C (32-50°F)	YF62NC000100000J	YF64NC000100000J	0,5~0,8°C (0,9~1,4°F)
+4+40°C (40-105°F)	YF62NC040400000J	YF64NC040400000J	0,5~0,8°C (0,9~1,4°F)

°F printing: replace last character (J) by K

Knob printings

°C Printing			°F Printing		
-35+35°C	0-10°C	4-40°C	-30+95°F	32-50°F	40+105°F
