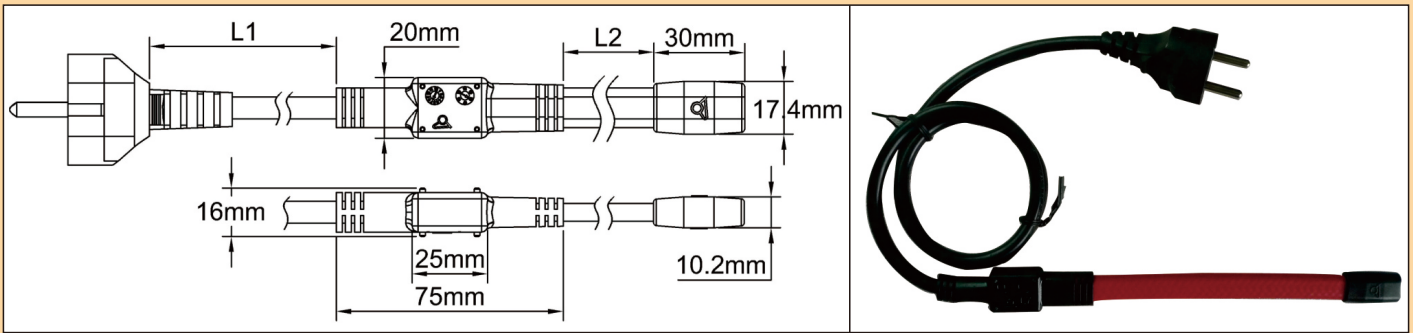


# Technical over-molding of thermostats, types 49C, 49JE, 9DHT

(P2)

## Over-molded junction between cord and heat tracing cable, type 9DHT



### Technical features

The assembly is waterproof, frost proof, short immersion proof, protects the connection of the power cord to the heating cable. The flexibility of the over-molding is compatible with the heating cable. The free end of the heating cable receives also an over-molding to make it waterproof.

This type of assembly is cost saving, but requires M.O.Q of 500 pieces.

**The designs and quotations of this product are only made on the basis of customer's specs, and depend on the dimensions of the heating wire (diameter, length, power), and type, gauge and length of the cord.**