

# Paddle flow switches, reed switch contact, built-in 16A SPDT relay

## Type: RAX

(P2)

### Installation instructions:

- Check carefully the paddle orientation: The arrow on housing must be exactly parallel to the pipe.
- A 5 mm minimum gap must be respected between end of the paddle and tube wall opposite to the fitting.
- We recommend the use of nozzles of length below or equal to 18mm between the gasket seat and the inside of the tube and with an inner diameter above or equal to 13.5 mm, to avoid blocking of the paddle.

**Accessories:** 3/4" male PVC saddles for DN40 to DN100 (OD) PVC pipes, and other fittings: see last section of this catalogue.

**Options (MOQ apply):** nickel plated 3/4" BSPP union nut.

**Important notice:** In the case of plastic pipes (PVC, PE), the DN (nominal diameter) corresponds to the **outside diameter** and wall thickness is variable depending on the application. This must be taken into account to avoid blocking the paddle. In the case of metal pipes, the inner diameter corresponds to the DN. Flow values data are for tubes whose **internal diameter** corresponds to DN.

### Average flow detection values (Liters/min)

Paddle length	15		20		25		32		40		50		63		100	
	*Close	**Open	*Close	**Open	*Close	**Open	*Close	**Open	*Close	**Open	*Close	**Open	*Close	**Open	*Close	**Open
1-m	2,7	2,3	4,8	4,5	13	11	22	20	38	35	67	47	167	112	472	317
1-H	4,3	3,3	7,3	6,5	18	17	29	27	53	48	83	72	218	142	616	401
1-M	5,5	3,2	14	12	25	22	38	35	67	60	132	108	262	202	740	571
1+2-m									20	18	37	32	68	52	192	155
1+2-H									30	28	53	43	88	72	248	203
1+2-M									40	37	67	63	123	115	347	324
1~3-m											22	20	37	33	125	108
1~3-H											34	32	63	50	176	165
1~3-M											46	43	77	73	233	217
1~4-m													27	24	88	72
1~4-H													43	40	140	132
1~4-M													58	55	180	167

m= calibration at min span  
H= calibration at Half span  
M= calibration at Max span

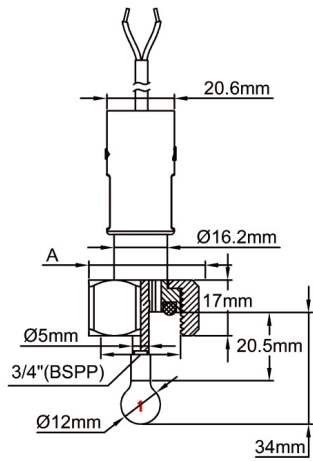
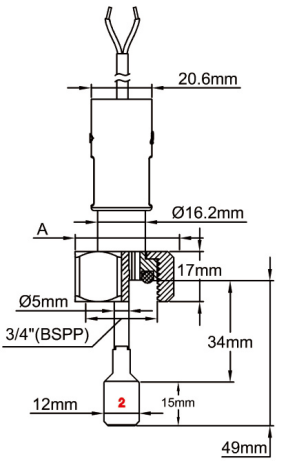
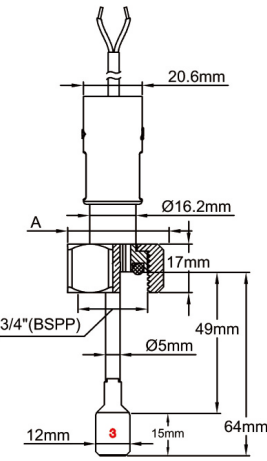
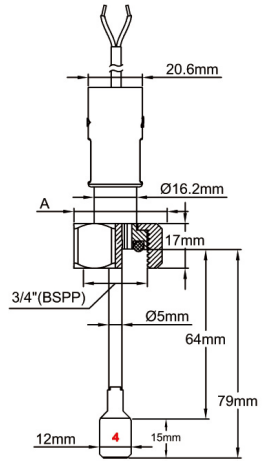
\*Close by flow rise (L/min) of contact open at no flow position. \*\*Open by flow decrease (L/min) of contact open at no flow position. Average values for indication only. Standard tolerances  $\pm 15\%$

### Main references (With type A cleavable paddle)

Calibration (Calibration force  $\pm 15\%$ , measured at end of paddle N°1)

Low span end: 3gr	Middle span: 7gr	High span end: 14 gr
RAX636680G35N00C	RAX676680G35N00C	RAX6E6680G35N00C

### Other paddles (Non cleavable models)

			
<p><b>Paddle type B</b> Replace 6680 in reference by 1234</p>	<p><b>Paddle type C</b> Replace 6680 in reference by 1549</p>	<p><b>Paddle type D</b> Replace 6680 in reference by 1564</p>	<p><b>Paddle type E</b> Replace 6680 in reference by 1579</p>