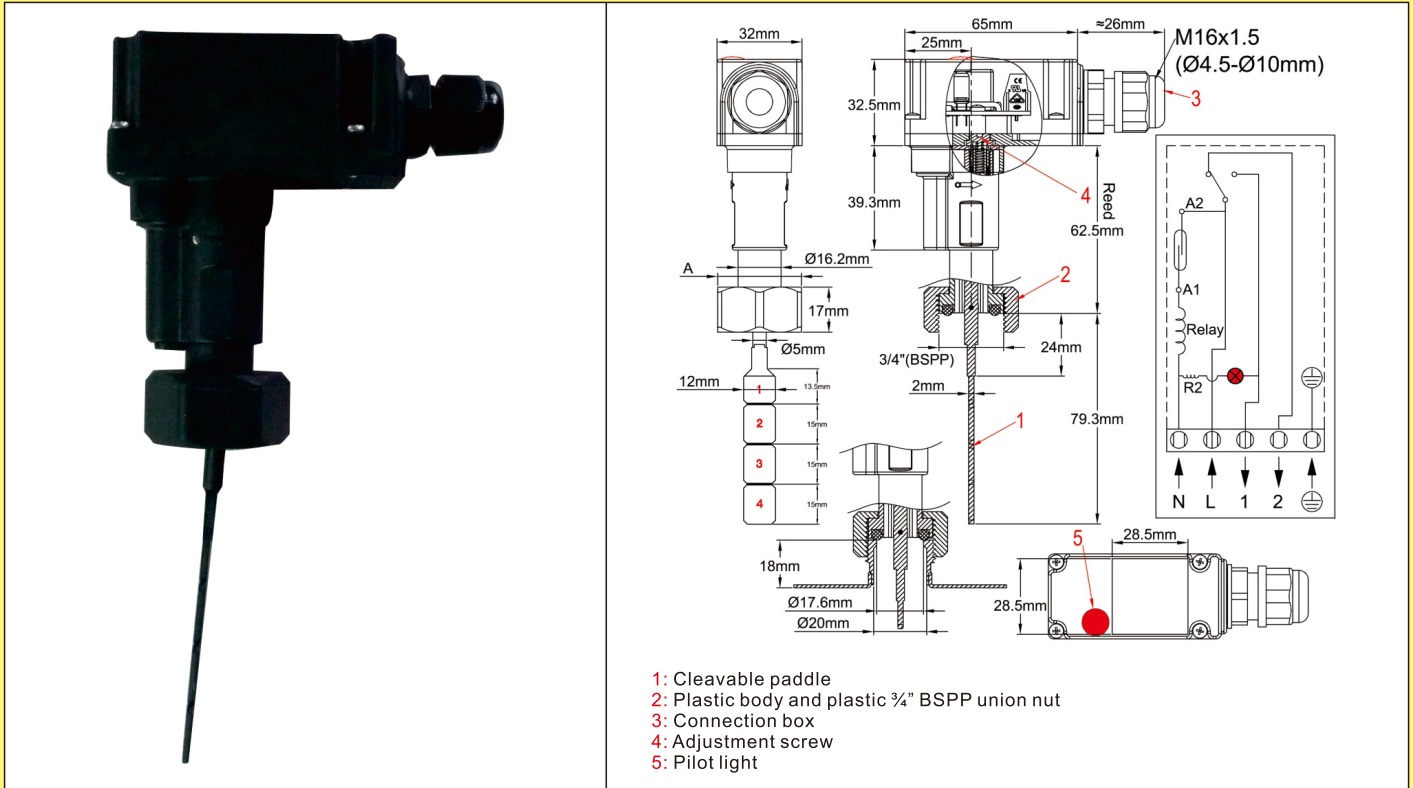


Paddle flow switches, reed switch contact, built-in 16A SPDT relay

Type: RAX

Size and pressure	Flow sensing : Cleavable paddle	Mounting: 3/4" BSPP Union nut	Contact: Reed switch + relay, SPDT	Electrical rating	Mounting position	Type
PN10 DN≥15				≤15 A Res. ≤250V~		RAX



Main uses

General application in flow detection. Recommended mounting position is on horizontal pipes, but can be mounted in any position. For water flow detection on dia 15 to 100mm water pipes. **The built-in relay with SPDT contact can be used on resistive loads up to 15A 250V. The pilot light shows the contact position.**

Functional principle

Balanced magnetic paddle mounted perpendicular to the flow and activating a reed switch through the wall. The return of the paddle is by magnetic action, without spring. No seal or liquid can pass between the piping system and the electrical contact. Suitable for corrosive water pools and spas and salination chlorination and bromination systems. Must not be used for water containing magnetic particles or high viscosity liquids, which block the movement of the paddle.

Adjustment:

- By cleaving the paddle
- Fine adjustment by screw driver on internal dial (on models with connection box only)

Paddle shaft: Titanium, providing an outstanding corrosion resistance, and improved mechanical life. Suitable for corrosive water pools and spas and salination, chlorination and bromination systems.

Main housing material: PPO, fiber glass reinforced for improved pressure resistance, usable with potable water.

Paddle: PPO, 12 mm width, can be cleaved into 4 sections numbered 1 to 4 for pipe diameter adjustment.

Pipe mounting: Fiber glass reinforced union nut, 3/4 BSPP, mounting on 3/4 BSPP male fitting with gasket. Recommended torque: 7±1Nm.

Gasket: NBR

Electrical rating: 15A, 250V, resistive load. Use on inductive circuits reduces electrical rating.

Electric contact type: SPDT

Liquid compatibility: For use with clean water and liquids without magnetic particles and without chemical incompatibility with PPO and titanium.

Nominal pressure at 20°C: 1MPa (PN10) Liquid temperature ranges: 5 to 100°C (cannot be used in water freezing pipes).

Ambient temperature range: 5 to 80°C

Ingress protection: IP65

Calibration tolerances: +/-15% (on paddle operating force at end of paddle 1).

Electrical connection: 2.5mm² connection block with screw terminals M16 cable gland output.