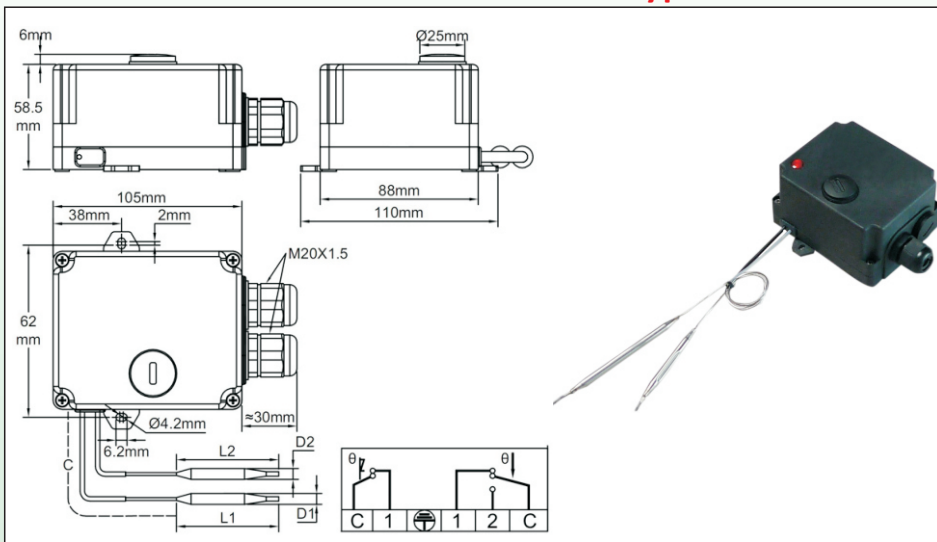


# 2015 New products

## Combination of adjustable set point thermostat and manual reset high limit, IP54 commercial housing, capillary output, wall mounting, Type Y09



### Main applications:

Control sub assembly designed to be used directly on standard immersion heaters, power up to 3500W, 230V, single phase.

**Housing:** IP54, 105 x 88 x 58.5 mm, (Cap, accessories and cable gland not included), black PC-ABS, UL94V0. High impact and UV resistance.

Product including an adjustable temperature control thermostat and a fixed setting high limit manual reset thermostat. Manual reset has access from outside, by removing a cap.

**Electrical input:** Two M20 cable glands.  
**Temperature Adjustment:** Inside, with °C printed knob. (°F printed knobs available in option)

**Sensing elements:** Liquid filled bulbs, dia. 6mm, with output on side of housing, for distance measurement.

**Adjustment ranges:** 0-60°C (32-140°F) ; 30-90°C (85-195°F) ; 30-110°C (90-230°F)

**Capillaries length (C):** 900 mm

**Electrical connections:** screw terminals

**Mounting:** With 2 wall mounting tabs, for M4 screws, 62 mm distance

Control thermostat contact: SPDT

-Open on temperature rise contact (C-1) 16A(2.6) 250VAC

-Close on temperature rise contact (C-2) 6A(0.6) 250VAC

-Electrical life > 100.000 cycles.

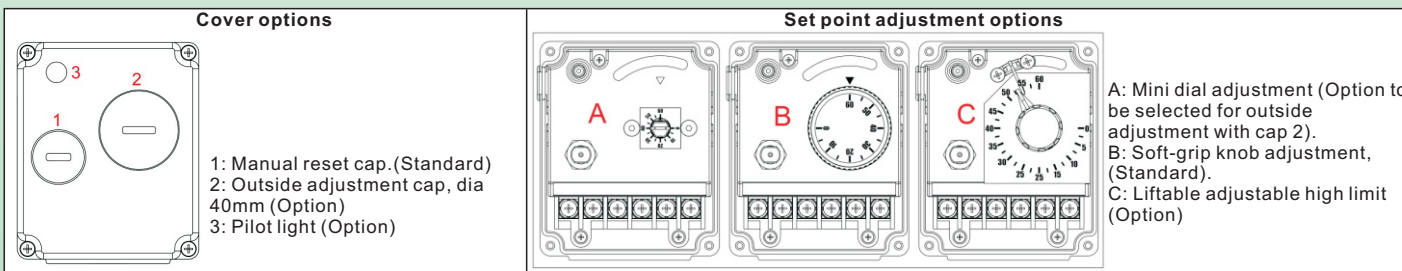
**Manual reset thermostat contact:** Fail safe, open by temperature rise; 16A (2,6) 250V alt.

### Options:

-Power supply "energized" pilot light (Neutral is mandatory, and thermostat contact is open on rise only, not SPDT) Other pilot light wirings are possible on request.

-Liftable adjustable high end adjustment on control thermostat.

- Outside access to the control thermostat adjustment (By removing a 40mm dia cap)



## Main references

Temperature ranges °C (°F)	Manual reset calibration °C (°F)	Cap access manual reset	Cap access manual reset, liftable adjustable high stop	Cap access manual reset, liftable adjustable high stop, pilot light (230V)	Differential °C (°F)	Max temperature on bulbs °C (°F)
0-60°C(32-140°F)	80°C (176°F)	Y09MS00060A09080	Y09ME00060A09080	Y09NE00060C09080	4±3 (7±5.5°F)	90 (195 °F)
30-90°C (85-195°F)	110°C (230°F)	Y09MS30090A09110	Y09ME30090A09110	Y09NE30090C09110	4±3 (7±5.5°F)	120 (250°F)
30-110°C (90-230°F)	130°C (266°F)	Y09MS30110A09130	Y09ME30110A09130	Y09NE30110C09130	5±3 (9±7°F)	150 (300°F)

Autres plages de température sur demande  
Other temperature ranges on request

## Knobs and dials printing

Type	°C Printing			°F Printing		
	0-60°C	30-90°C	30-110°C	32-140°F	85-195°F	90-230°F
Standard softgrip knob						
Miniature knob dial for outside adjustment						
Adjustable stop big dial						