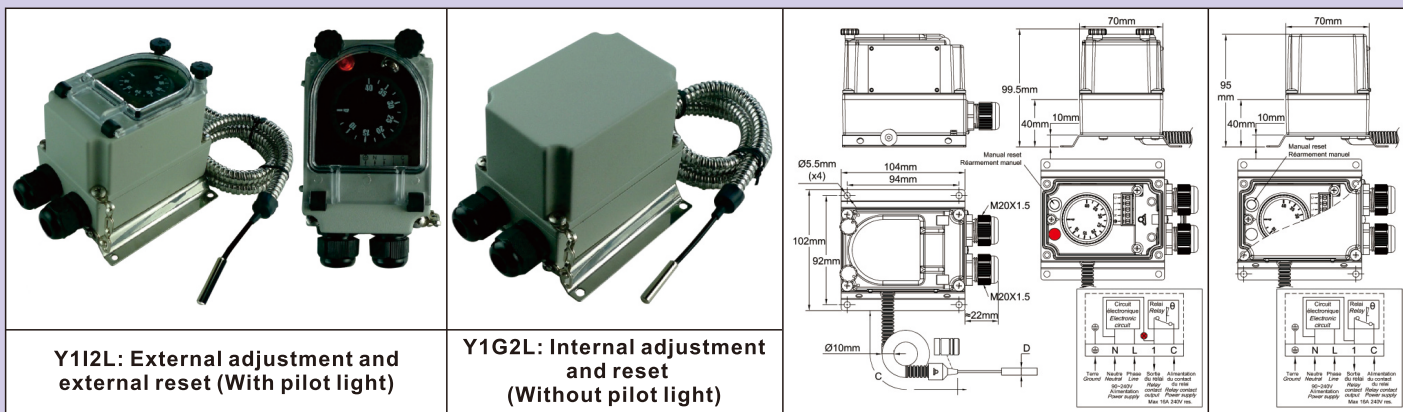


Manual reset electronic adjustable limiter, remote sensor

Enclosure	Type	Operation	Contact	Measurement	Ranges °C	Models
IP65,IK10	Limiter	Electronic	SPNO or SPNC	Remote		Y1I2L & Y1G2L
Material						
Aluminum						



Applications

Temperature **high limit**, in usual industrial application and environment, non-hazardous areas.

Internal adjustment is convenient for products that must not be frequently adjusted.

Use of electronic sensor allows **measurement at long distances**, which is not possible with bulb and capillary types.

Housing: Aluminum, IP65, IK10. Mounted on a SUS304 stainless steel wall mounting plate which keeps temperature sensing element away from the wall. Grey RAL7032 epoxy painting. Stainless steel captive cover screws. Captive aluminum lid.

Operation: Microprocessor manual reset electronic limiter, with adjustable set point.

Adjustment ranges: -35-35°C (-30+95°F); 0-10°C (32-50°F); 4-40°C (40-105°F); 30-90°C (85-195°F); 30-110°C (85-230°F); 50-200°C (120-390°F); 50-300°C (120-570°F); 100-400°C (210-750°F); 100-500°C (210-930°F).

Set point adjustment: By °C printed knob. All types have an adjustable rotation limit system located inside the knob that allows reducing the set point adjustment span. Types with external adjustment have a transparent window. This device allows seeing the pilot light and the knob position. °F values are available in option.

Reset: by push button switch beside the knob

Sensing element: NTC or Pt100 sensor. The sensor cable is protected by a stainless steel corrugated pipe terminated by a silicone tip. A plastic cap plug provided as standard accessory allows locking the flexible metal conduit inside a pocket (See pockets in the accessories section). Standard cable length 2m. Other lengths on request.

Cable input and output: Two M20 cable gland, Black PA66. Internal electrical connection on screw terminals. 2 phase power supply (Line+ Neutral, 220~250V, 50Hz~60Hz) are mandatory.

Earthing: Internal and external screw terminal.

Pilot light: Allow to visualize thermostat contact output position. Standard for all models with transparent window. Non Standard and on special request only for models with plain aluminum cover.

Mounting: Wall mounting, by 4 holes for screws dia. 4 to 5 mm, 94 x 92 mm distance

Identification: Metallic identification label, riveted.

Contact: SPST. 16A (2.6), 250VAC. Open or close on temperature rise. Contact close on temperature rise model is used to switch on alarm. Contact open on temperature rise version is used to switch off heating.

Electrical life: >100.000 cycles.

Minimum Storage temperature: -35°C (-30°F)

Maximum ambient temperature: 60°C (140°F)

For more technical information see 2PE2N6 thermostat technical data sheet