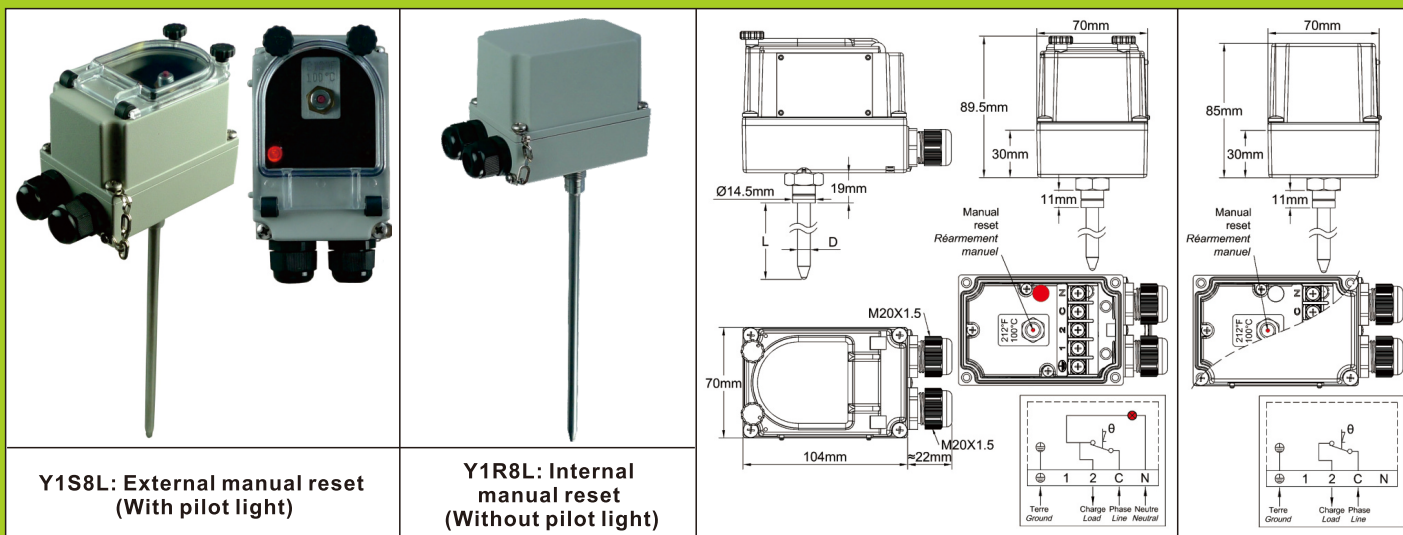


Fixed setting manual reset limiter, rod

Enclosure	Type	Operation	Contact	Measurement	Ranges °C	Models
IP65,IK10	Manual reset	Mechanical	SPNC	Rod		Y1S8L & Y1R8L
Material						
Aluminum						



Applications

These **liquid expansion** rod manual reset limiters can be installed inside pockets as immersion thermostats in pipelines and containers, and as **high limit safety** in air ducts, in usual industrial applications and environments. (Not suitable for hazardous areas).

-Internal reset is convenient for products that must not be frequently reset.

-Insensitivity to strong vibrations

-**Sealed calibration point, not adjustable**

Housing: Aluminum, IP65, IK10. Grey RAL7032 epoxy painting. Stainless steel captive cover screws. Captive aluminum lid

Action: **Fail safe** manual reset high temperature limit.

Set point calibration value: 80±8°C (176±15°F), 90±8°C (194±15°F), 110±8°C (230±15°F), 130±8°C (266±15°F), 150±8°C (302±15°F), 175±8°C (347±15°F), 220±11°C (428±20°F), 270±13°C (518±23°F), 300±15°C (572±27°F). Other calibration temperature on request, between 30°C and 320°C (85°F and 610°F)

Temperature adjustment: Fixed setting, sealed, no access to user.

Sensing element: Liquid expansion bulb and capillary. The capillary is protected by a stainless steel corrugated pipe terminated by a silicone tip. A plastic cap plug provided as standard accessory allows locking the flexible metal conduit inside a pocket. (See pockets in the accessories section)

Sensing element: Liquid expansion rod. This rod has a non-temperature sensing zone named dead zone which allows thermal insulation crossing. An increased diameter under the thermostat head allows mounting pockets, coolers or brackets (See pockets in the accessories section).

Electrical connections: Inside, on screw terminal connection block. Possibility to connect two wires 1.5mm² on each terminal.

Pilot light: Allows to visualize limiter contact output position. Standard for all models with transparent window. Non-standard and on special request only for models with plain aluminum cover. (230V, 2 phase power supply, is mandatory for the pilot light)

Cable input and output: Two M20 cable glands, Black PA66.

Earthing: Internal and external screw terminal.

Cable output: M16 cable gland, PA66, for cables up to 10 mm dia.

Identification: Metallic identification label, riveted. Set point calibration is printed in °C and °F beside the manual reset button.

Contact: Single pole, open on temperature rise (SPNC)

Electrical rating: 16A res. 250/400VAC

-Electrical life > **6.000 cycles**.

Minimum storage temperature: -35°C (-30°F)

Maximum ambient temperature: 60°C (140°F)

For more technical information see 8L limiter technical data sheet (catalog 1).

Because of permanent improvement of our products, drawings, descriptions, features used on these data sheets are for guidance only and can be modified without prior advice