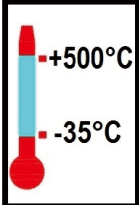
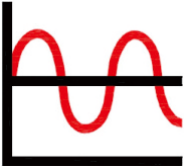
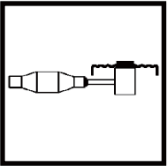


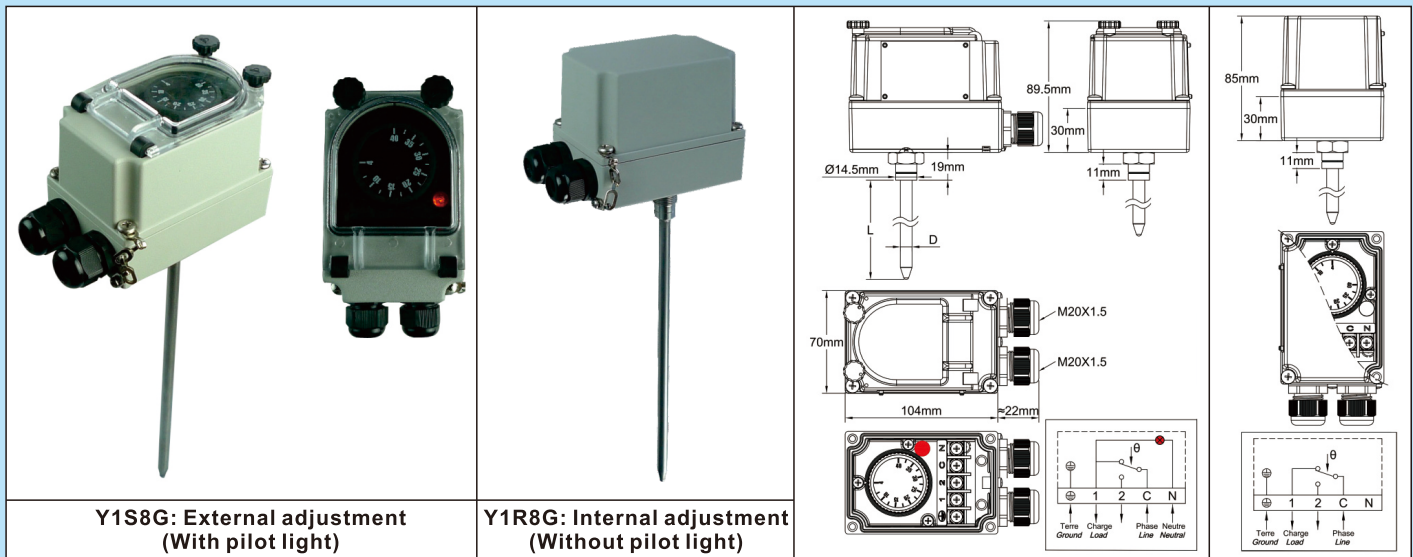


Rod thermostats, temperature control

Enclosure	Type	Operation	Contact	Measurement	Ranges °C	Models
IP65, IK10	Control	Mechanical	SPDT	Rod		Y1S8G & Y1R8G
Material						
Aluminum						



Applications

These **liquid expansion** rod thermostats can be installed inside pockets as immersion thermostats in pipelines and containers, and for monitoring temperature in air ducts, in usual industrial applications and environments. (Not suitable for hazardous areas).
 -Internal adjustment is convenient for products that must not be frequently adjusted.

-Insensibility to strong vibrations

Housing: Aluminum, IP65, IK10. Grey RAL7032 epoxy painting. Stainless steel captive cover screws. Captive aluminum lid.

Set point adjustment ranges: -35+35°C (-30+95°F); -10+40°C (15-105°F); 4-40°C (40-105°F); 0-60°C (32-140°F); 0-90°C (32-195°F); 30-90°C (85-195°F); 30-110°C (85-230°F); 50-200°C (120-390°F); 50-300°C (120-570°F); 100-400°C (210-750°F); 100-500°C (210-930°F)

Set point adjustment: By °C printed knob. All types have an adjustable rotation limit system located inside the knob that allows reducing the set point adjustment span. Types with external adjustment have a transparent window. This device allows seeing the pilot light and the knob position. °F values are available as an option.

Action: Temperature control, On-Off action.

Sensing element: Liquid expansion rod. This rod has a non-temperature sensing zone named dead zone which allows thermal insulation crossing. An increased diameter under the thermostat head allows mounting pockets, coolers or brackets (See pockets in the accessories section)

Electrical connections: Inside, on screw terminal connection block.

Earthing: Internal and external screw terminal.

Pilot light: Allow to visualize thermostat contact output position. Standard for all models with transparent window. Non Standard and on special request only for models with plain aluminum cover.

Cable input and output: Two M20 cable glands, Black PA66.

Identification: Metallic identification label, riveted.

Contact: SPDT

Electrical rating, resistive loads:

-Open on temperature rise contact (C-1)

16A 250V, 50 ~60Hz: > 100000 cycles,

20A 250V, 50 ~60Hz: ≥ 50000 cycles,

10A 400V, 50 ~60Hz: ≥ 50000 cycles.

-Close on temperature rise contact (C-2): 6A 250V 50 ~60Hz: > 100000 cycles

Electrical rating, inductive loads:

-Open on temperature rise contact (C-1): 6A 250V, 50 ~60Hz: > 100000 cycles

-Close on temperature rise contact (C-2): 0.6A 250V 50 ~60Hz: > 100000 cycles

Minimum storage temperature: -35°C (-30°F)

Maximum ambient temperature: 60°C (140°F)

For more technical information ask 8G thermostat technical data sheet (catalog 1).