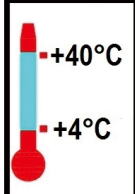
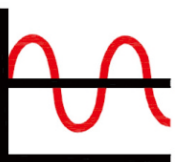
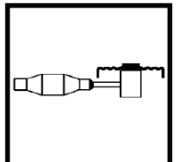
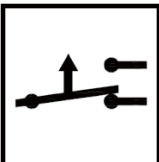

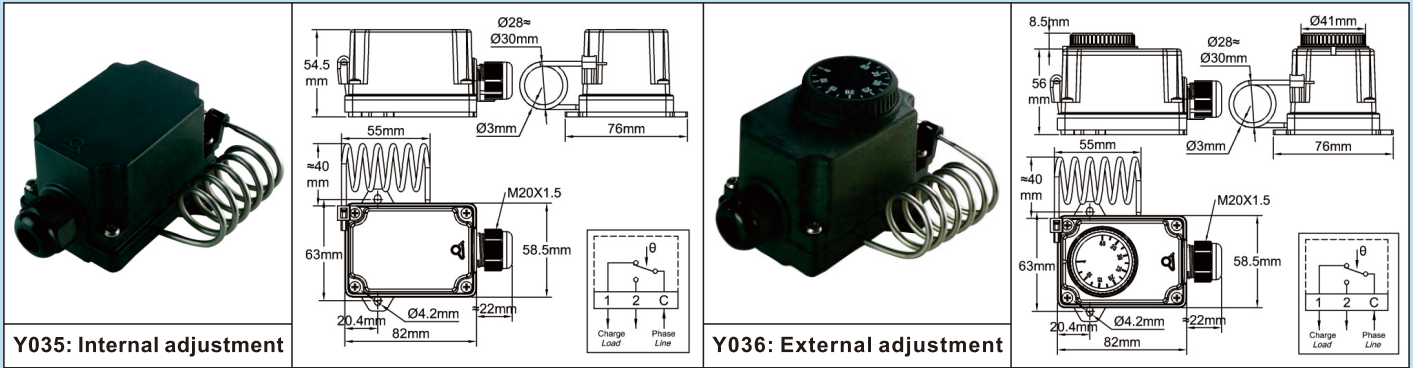


Pigtail bulb room thermostats

Enclosure	Type	Operation	Contact	Measurement	Ranges °C	Models
IP44	Control	Mechanical	SPDT	Ambient		Y035 & Y036
Material						
PC-ABS						



Housing: IP44, black PC-ABS, fiber glass reinforced, UL94V0. High impact and UV resistance. 2 removable wall mounting lugs.
Cable input: One M20 cable gland.
Set point adjustment: By °C printed knob for external adjustment models, by screw driver and printed dial on internal adjustment models. °F values available as an option.

Sensing element: Liquid filled bulb, coiled on the side of enclosure.

Adjustment range: 4-40°C (40-105°F)

Electrical connections: 3 screw terminal connection block

Mounting: Wall mounting, by two side lugs with holes for dia. 4 mm screws, 63 mm distance.

Contact: SPDT

Electrical rating, resistive loads:

-Open on temperature rise contact (C-1)

16A 250V, 50 ~60Hz: >100000 cycles,

20A 250V, 50 ~60Hz: ≥ 50000 cycles,

10A 400V, 50 ~60Hz: ≥ 50000 cycles.

-Close on temperature rise contact (C-2)

(C-2): 6A 250V 50 ~60Hz: >100000 cycles

Electrical rating, inductive loads:

-Open on temperature rise contact (C-1): 6A 250V, 50 ~60Hz: >100000 cycles

-Close on temperature rise contact (C-2): 0.6A 250V 50 ~60Hz: >100000 cycles.

Minimum storage temperature: -35°C (-30°F)

Maximum ambient temperature: 60°C (140°F)

For more technical information ask 8G thermostat technical data sheet.

References

Temperature ranges °C (°F)	Internal	External adjustment	Differential °C (°F)	Max temperature on bulb °C (°F)
4-40 (40-105)	Y035GB004040QB3J	Y036GB004040QB3J	1±0.5°C (1,8±1°F)	60 (140)

°F printing: replace last character (J) by K

Knob printings

