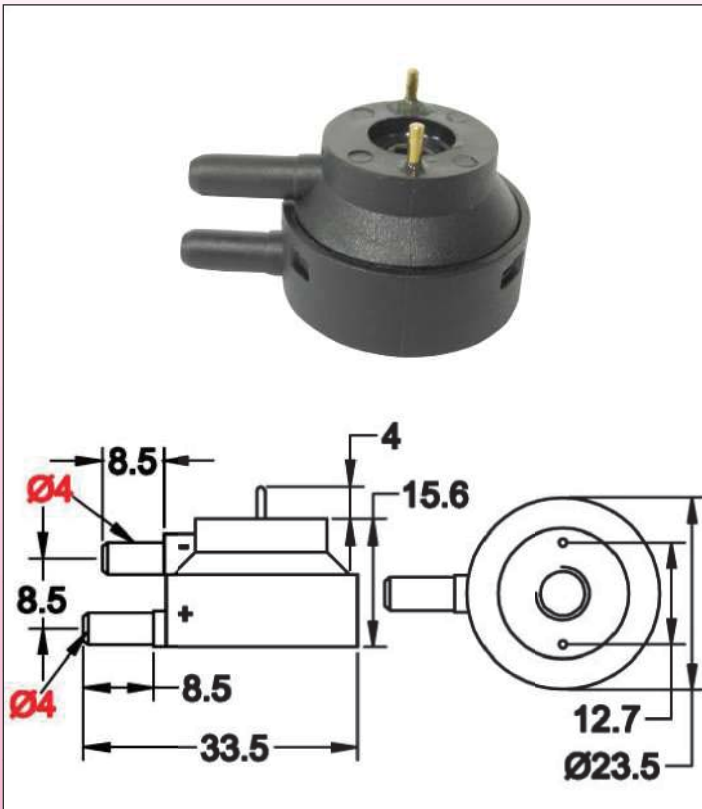


Low pressure, slow action contact differential pressure switches for it printed ciru boards with 6.35mm pitch SPNO contact : Type ZH

DIMENSIONS



Uses: Low voltage, high sensivity

Main applications: Electronic printed circuits. Detection of low positive, negative or differential pressure. Measurement of liquid levels, air flow, filters efficiency. Very small differential, about 2 millibars

Membranes: EPDM, dia 22 mm. Silicone or NBR on request

Fluid: water or air (no liquid input on the negative pressure inlet)

Fitting: two plastic spouts dia 4 mm for soft PVC tube 3x6 mm (1/8")

Pressure: Differential

Housing: PA66, UL94 VO

Contact: single pole normally open, slow action.

Electrical rating:

- Silver contact: max 1A 250V

- Gold plated contact: max 100 mA, 24V

Action: momentary, close by pressure rise on positive pressure inlet

Set point calibration: factory calibrated and sealed, not field adjustable

Set point calibration limits: from 10 to 400 mbar

Differential: less than 5 mbar

Electrical connection: printed circuit terminal, dia 1.2 mm, 12.7mm spacing

Maximum pressure: 500 mbar (7 PSI)

Ambient temperature limits: 0 to 85°C

References:

Calibration (mbar)	Silver contact	Gold plated contact
20	ZH2X25T102000000	ZH2X25TG02000000
50	ZH2X25T105000000	ZH2X25TG05000000
75	ZH2X25T107500000	ZH2X25TG07500000
100	ZH2X25T10A000000	ZH2X25TG0A000000
150	ZH2X25T10A500000	ZH2X25TG0A500000