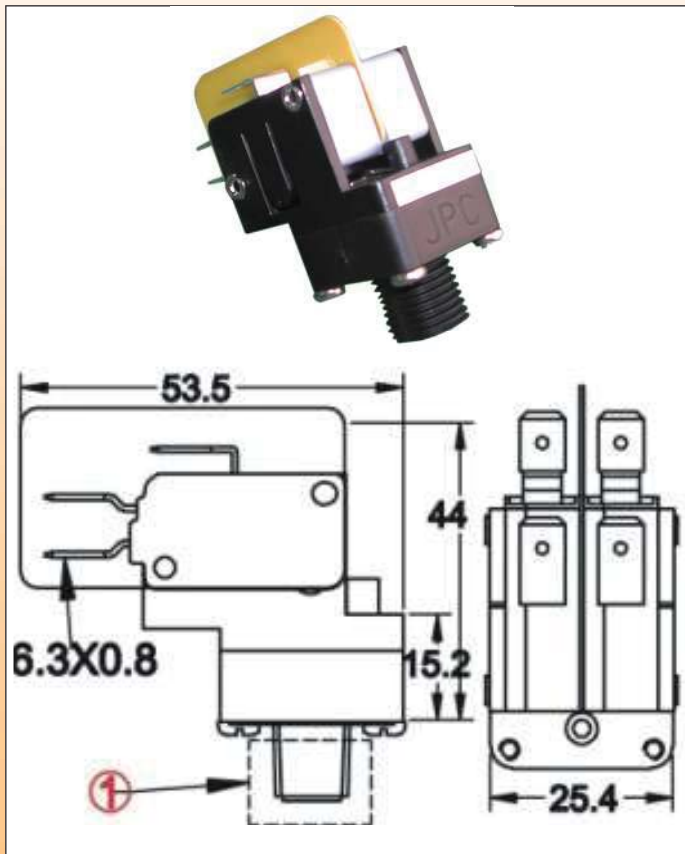


Snap action contact miniature vacuum switch, DPDT contact Plastic fitting : Type ZT

DIMENSIONS



Uses: High electrical rating, for 250V.

Main applications: Vacuum detection on pumps, filters, ventilation, and electrical appliances.

Membranes: EPDM, dia 22 mm. Silicone or NBR on request. Double membrane on request.

Fluid: water or air

Fitting: Plastic

Pressure: negative (Vacuum)

Housing: PA66, UL94 V0

Contact: two SPDT switches, snap action. NO or NC contacts available with MOQ

Electrical rating: Depends on micro-switch operating force that is linked to the electrical rating

- Standard rating micro-switch (medium and high vacuum calibration only): 16A 125/250VAC; 1/2HP 125VAC; 3/4HP 250VAC. Differential about 60 mbar

- High rating micro-switch (medium and high vacuum calibration only): 2HP 240V, 21(8) A 240V (UL, CSA VDE switch). Differential about 90 mbar.

- Low force micro-switch (vacuum less than minus 150 mbar): 1/4HP 6(1) A 240V (UL, CSA VDE switch) Differential about 40 mbar.

- On request: up to 25A 250V

Action: momentary.

Set point calibration: factory calibrated and sealed, not field adjustable

Calibration condition: the contact between Com and NC opens when vacuum pressure goes from atmospheric pressure to requested vacuum set point.

Set point calibration limits: from minus 50 to minus 700 mbar

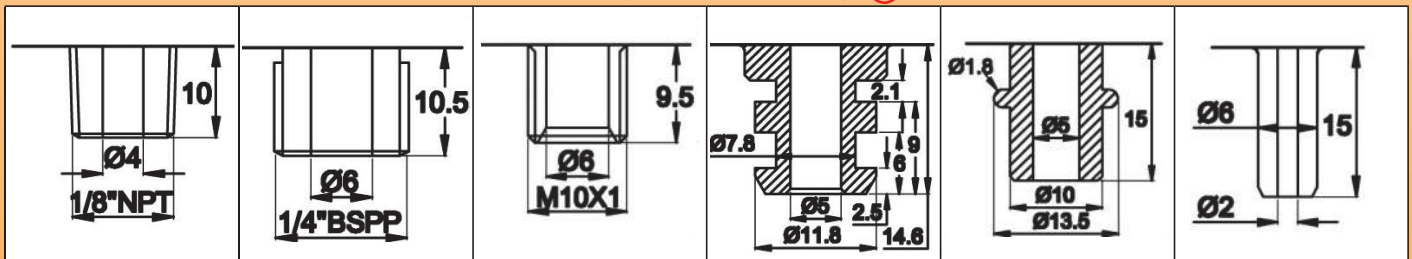
Electrical connection: 6.35 x 0.8 mm quick connect terminals

Maximum pressure: 4 bars (59 PSI)

Maximum vacuum: minus 700 mbar (relative pressure)

Ambient temperature limits: 0 to 85°C

Available pressure inlet fittings ①



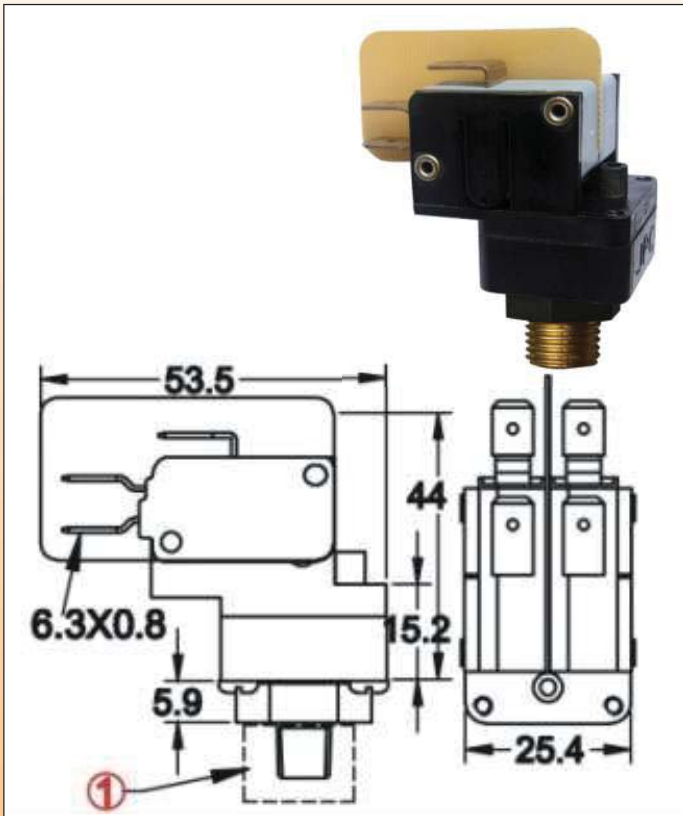
References (with SPDT contact):

Pressure inlet	Standard rating micro- switch (Calibration : minus 200 mbar)	Low pressure micro-switch (Calibration minus 100 mbar)	High rating micro-switch (Calibration minus 300 mbar)
1/8" NPT	ZT2228U10B000000	ZT2528U50A000000	ZT2B8U60C0000000
1/4" BSPP	ZT222QU10B000000	ZT252QU50A000000	ZT2BQU60C0000000
M10 x 1	ZT222MU10B000000	ZT252MU50A000000	ZT2BMU60C0000000
Snap in fitting, 2 grooves dia 7.8	ZT222TU10B000000	ZT252TU50A000000	ZT2BTU60C0000000
Snap in fitting, 1 groove dia 10	ZT222ZU10B000000	ZT252ZU50A000000	ZT2BZU60C0000000
Snap in fitting, 1 spout dia 6 mm	ZT222AU10B000000	ZT252AU50A000000	ZT2BAU60C0000000
	Other set point values: replace B00 in the product reference by the requested value in mbar	Other set point values: replace A00 in the product reference by the requested value in mbar	Other set point values: replace 000 in the product reference by the requested value in mbar

Snap action contact miniature vacuum switch, DPDT contact

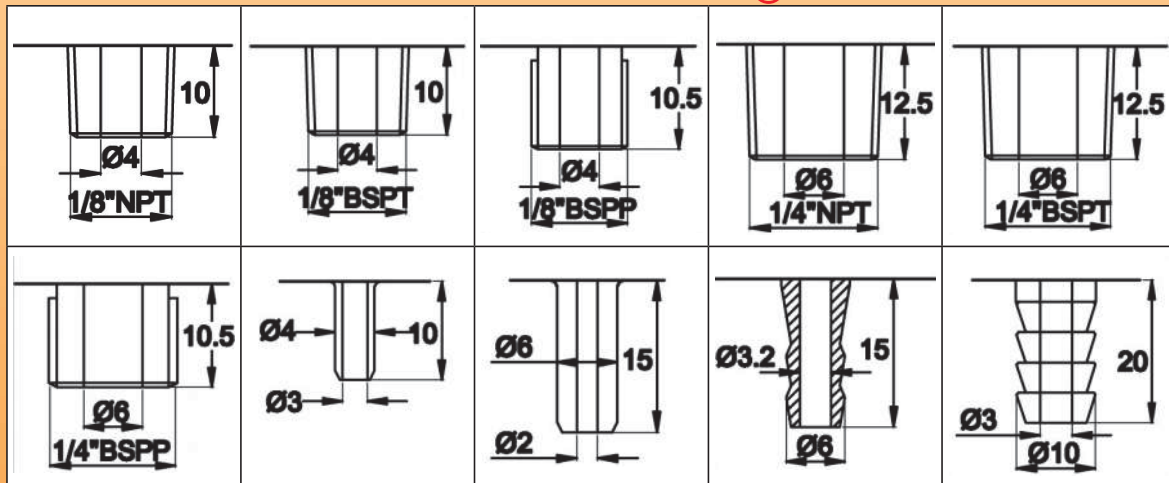
Metal fitting : Type ZT

DIMENSIONS



Uses: High electrical rating, for 250V.
Main applications: Vacuum detection on pumps, filters, ventilation, and electrical appliances.
Membranes: EPDM, dia 22 mm. Silicone or NBR on request. Double membrane on request.
Fluid: water or air
Fitting: brass (stainless steel on request)
Pressure: negative (Vacuum)
Housing: PA66, UL94 VO
Contact: two SPDT switches, snap action. NO or NC contacts available with MOQ
Electrical rating: Depends on micro-switch operating force that is linked to the electrical rating
 - Standard rating micro-switch (medium and high vacuum calibration only): 16A 125/250VAC; 1/2HP 125VAC; 3/4HP 250VAC. Differential about 60 mbar
 - High rating micro-switch (medium and high vacuum calibration only): 2HP 240V, 21(8) A 240V (UL, CSA VDE switch). Differential about 90 mbar.
 - Low force micro-switch (vacuum less than minus 150 mbar): 1/4HP 6(1) A 240V (UL, CSA VDE switch) Differential about 40 mbar.
 - On request: up to 25A 250V
Action: momentary.
Set point calibration: factory calibrated and sealed, not field adjustable
Calibration condition: the contact between Com and NC opens when vacuum pressure goes from atmospheric pressure to requested vacuum set point.
Set point calibration limits: from minus 50 to minus 700 mbar
Electrical connection: 6.35 x 0.8 mm quick connect terminals
Maximum pressure: 4 bars (58 PSI)
Maximum vacuum: minus 700 mbar (relative pressure)
Ambient temperature limits: 0 to 85°C

Available pressure inlet fittings ①



References (with SPDT contact and brass fitting):

Pressure inlet	Standard rating micro- switch (Calibration : minus 200 mbar)	Low pressure micro-switch (Calibration minus 100 mbar)	High rating micro-switch (Calibration minus 300 mbar)
1/8" NPT	ZT222RU10B000000	ZT252RU50A000000	ZT2BRU60C0000000
1/8" BSPT	ZT222PU10B000000	ZT252PU50A000000	ZT2BPU60C0000000
1/8" BSPP	ZT222LU10B000000	ZT252LU50A000000	ZT2BLU60C0000000
1/4" NPT	ZT222CU10B000000	ZT252CU50A000000	ZT2BCU60C0000000
1/4" BSPT	ZT222SU10B000000	ZT252SU50A000000	ZT2BSU60C0000000
1/4" BSPP	ZT222U10B000000	ZT252U50A000000	ZT2B2U60C0000000
Smooth spout dia 4 mm	ZT2223U10B000000	ZT2523U50A000000	ZT2B3U60C0000000
Spout dia 6 mm	ZT2227U10B000000	ZT2527U50A000000	ZT2B7U60C0000000
Fluted spout dia 6 mm	ZT222JU10B000000	ZT252JU50A000000	ZT2BJU60C0000000
Barbed spout dia 10 mm	ZT2229U10B000000	ZT2529U50A000000	ZT2B9U60C0000000
	Other set point values: replace B00 in the product reference by the requested value in mbar	Other set point values: replace A00 in the product reference by the requested value in mbar	Other set point values: replace 000 in the product reference by the requested value in mbar