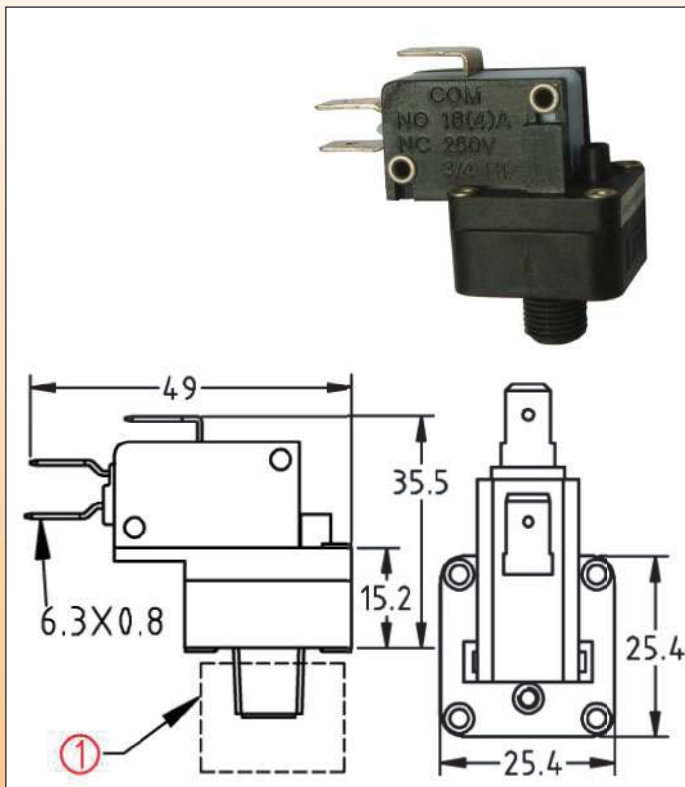


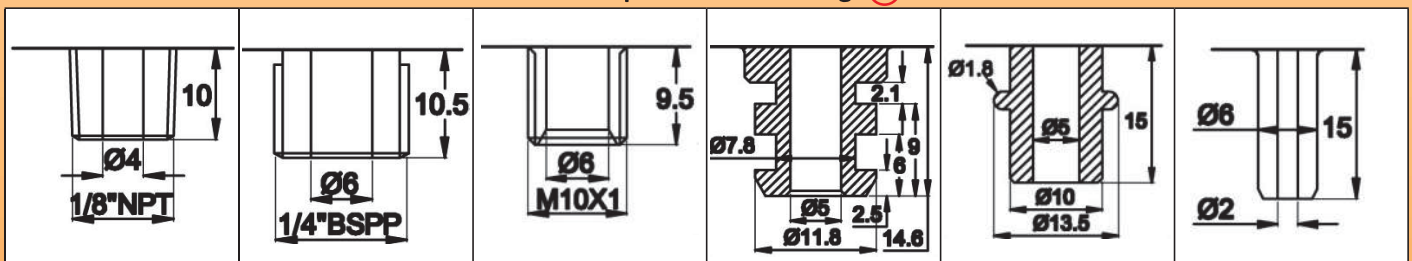
Snap action contact miniature vacuum switch, plastic fitting. SPDT contact : Type ZD

DIMENSIONS



Uses: High electrical rating, for 250V.
Main applications: Vacuum detection on pumps, filters, ventilation, and electrical appliances.
Membranes: EPDM, dia 22 mm. Silicone or NBR on request. Double membrane on request.
Fluid: water or air
Fitting: Plastic
Pressure: negative (Vacuum)
Housing: PA66, UL94 VO
Contact: SPDT, snap action. NO or NC contacts available with MOQ
Electrical rating: Depends on micro-switch operating force that is linked to the electrical rating
 - Standard rating micro-switch (medium and high vacuum calibration only): 16A 125/250VAC; 1/2HP 125VAC; 3/4HP 250VAC. Differential about 60 mbar
 - High rating micro-switch (medium and high vacuum calibration only): 2HP 240V, 21(8) A 240V (UL, CSA VDE switch). Differential about 90 mbar.
 - Low force micro-switch (vacuum less than minus 150 mbar): 1/4HP 6(1) A 240V (UL, CSA VDE switch) Differential about 40 mbar.
 - On request: up to 25A 250V
Action: momentary.
Set point calibration: factory calibrated and sealed, not field adjustable
Calibration condition: the contact between Com and NC opens when vacuum pressure goes from atmospheric pressure to requested vacuum set point.
Set point calibration limits: from minus 50 to minus 700 mbar
Electrical connection: 6.35 x 0.8 mm quick connect terminals
Maximum pressure: 4 bars (58 PSI)
Maximum vacuum: minus 700 mbar (relative pressure)
Ambient temperature limits: 0 to 85°C

Available pressure inlet fittings ①



References (with SPDT contact):

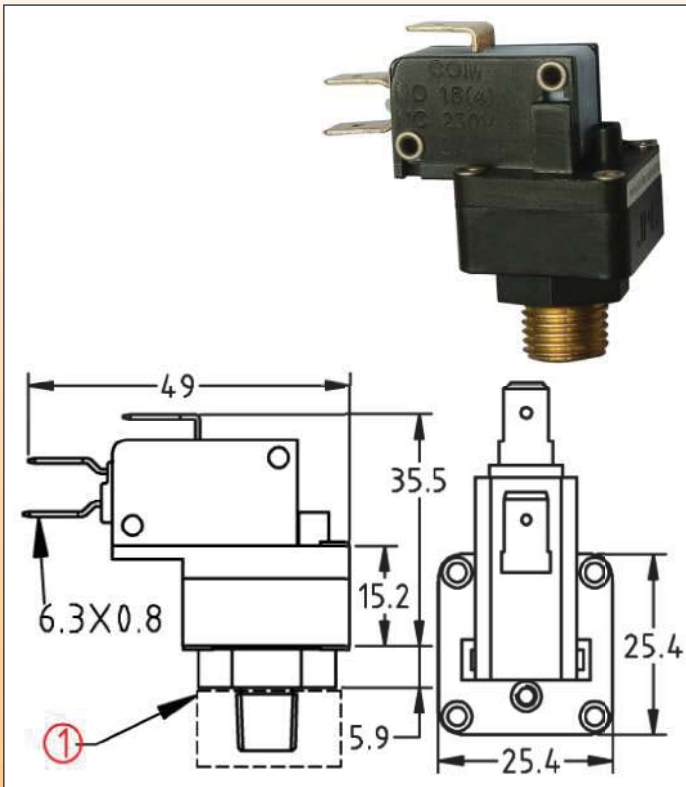
Pressure inlet	Standard rating micro- switch (Calibration : minus 200 mbar)	Low pressure micro-switch (Calibration minus 100 mbar)	High rating micro-switch (Calibration minus 300 mbar)
1/8" NPT	ZD2228U10B000000	ZD2528U50A000000	ZD2B8U60C0000000
1/4" BSPP	ZD222QU10B000000	ZD252QU50A000000	ZD2BQU60C0000000
M10 x 1	ZD222MU10B000000	ZD252MU50A000000	ZD2BMU60C0000000
Snap in fitting, 2 grooves dia 7.8	ZD222TU10B000000	ZD252TU50A000000	ZD2BTU60C0000000
Snap in fitting, 1 groove dia 10	ZD222ZU10B000000	ZD252ZU50A000000	ZD2BZU60C0000000
Snap in fitting, 1 spout dia 6 mm	ZD222AU10B000000	ZD252AU50A000000	ZD2BAU60C0000000
	Other set point values: replace B00 in the product reference by the requested value in mbar	Other set point values: replace A00 in the product reference by the requested value in mbar	Other set point values: replace 000 in the product reference by the requested value in mbar

En raison de l'évolution technique constante de nos produits, les plans, dessins, photos et caractéristiques repris dans les pages techniques sont communiqués sans engagement et peuvent être modifiés sans préavis

Snap action contact miniature vacuum switch, SPDT contact

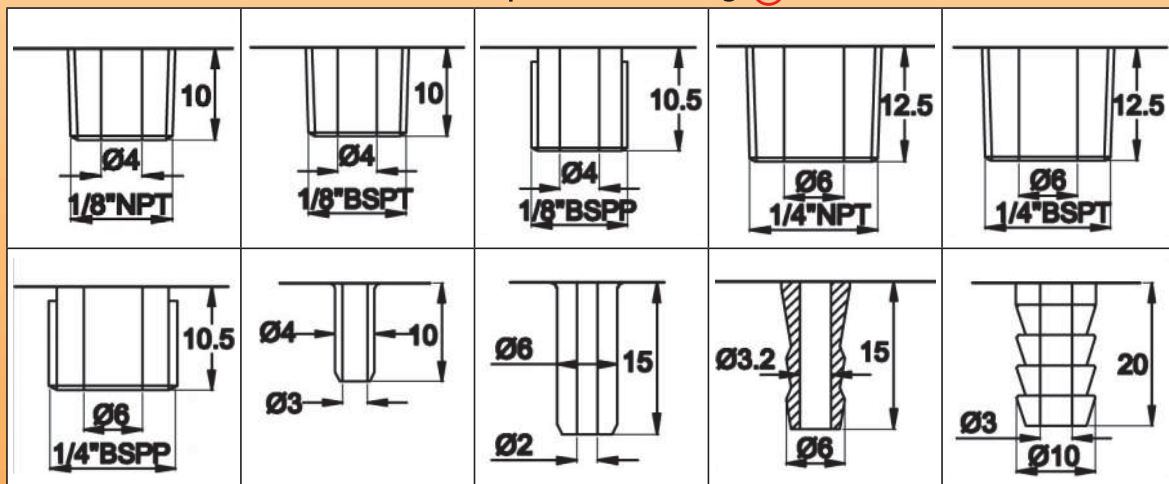
Metal fitting : Type ZD

DIMENSIONS



Uses: High electrical rating, for 250V.
Main applications: Vacuum detection on pumps, filters, ventilation, and electrical appliances.
Membranes: EPDM, dia 22 mm. Silicone or NBR on request. Double membrane on request.
Fluid: water or air
Fitting: brass (stainless steel on request)
Pressure: negative (Vacuum)
Housing: PA66, UL94 VO
Contact: SPDT, snap action. NO or NC contacts available with MOQ.
Electrical rating: Depends on micro-switch operating force that is linked to the electrical rating
 - Standard rating micro-switch (medium and high vacuum calibration only): 16A 125/250VAC; 1/2HP 125VAC; 3/4HP 250VAC. Differential about 60 mbar
 - High rating micro-switch (medium and high vacuum calibration only): 2HP 240V, 21(8) A 240V (UL, CSA VDE switch). Differential about 90 mbar.
 - Low force micro-switch (vacuum less than minus 150 mbar): 1/4HP 6(1) A 240V (UL, CSA VDE switch) Differential about 40 mbar.
 - On request: up to 25A 250V
Action: momentary.
Set point calibration: factory calibrated and sealed, not field adjustable
Calibration condition: the contact between Com and NC opens when vacuum pressure goes from atmospheric pressure to requested vacuum set point.
Set point calibration limits: from minus 50 to minus 700 mbar
Electrical connection: 6.35 x 0.8 mm quick connect terminals
Maximum pressure: 4 bars (58 PSI)
Maximum vacuum: minus 700 mbar (relative pressure)
Ambient temperature limits: 0 to 85°C

Available pressure inlet fittings ①



References (with SPDT contact and brass fitting):

Pressure inlet	Standard rating micro- switch (Calibration : minus 200 mbar)	Low pressure micro-switch (Calibration minus 100 mbar)	High rating micro-switch (Calibration minus 300 mbar)
1/8" NPT	ZD222RU10B000000	ZD252RU50A000000	ZD2BRU60C0000000
1/8" BSPT	ZD222PU10B000000	ZD252PU50A000000	ZD2BPU60C0000000
1/8" BSPP	ZD222LU10B000000	ZD252LU50A000000	ZD2BLU60C0000000
1/4" NPT	ZD222CU10B000000	ZD252CU50A000000	ZD2BCU60C0000000
1/4" BSPT	ZD222SU10B000000	ZD252SU50A000000	ZD2BSU60C0000000
1/4" BSPP	ZD2222U10B000000	ZD2522U50A000000	ZD2B2U60C0000000
Smooth spout dia 4 mm	ZD2223U10B000000	ZD2523U50A000000	ZD2B3U60C0000000
Spout dia 6 mm	ZD2227U10B000000	ZD2527U50A000000	ZD2B7U60C0000000
Fluted spout dia 6 mm	ZD222JU10B000000	ZD252JU50A000000	ZD2BJU60C0000000
Barbed spout dia 10 mm	ZD2229U10B000000	ZD2529U50A000000	ZD2B9U60C0000000
	Other set point values: replace B00 in the product reference by the requested value in mbar	Other set point values: replace A00 in the product reference by the requested value in mbar	Other set point values: replace 000 in the product reference by the requested value in mbar