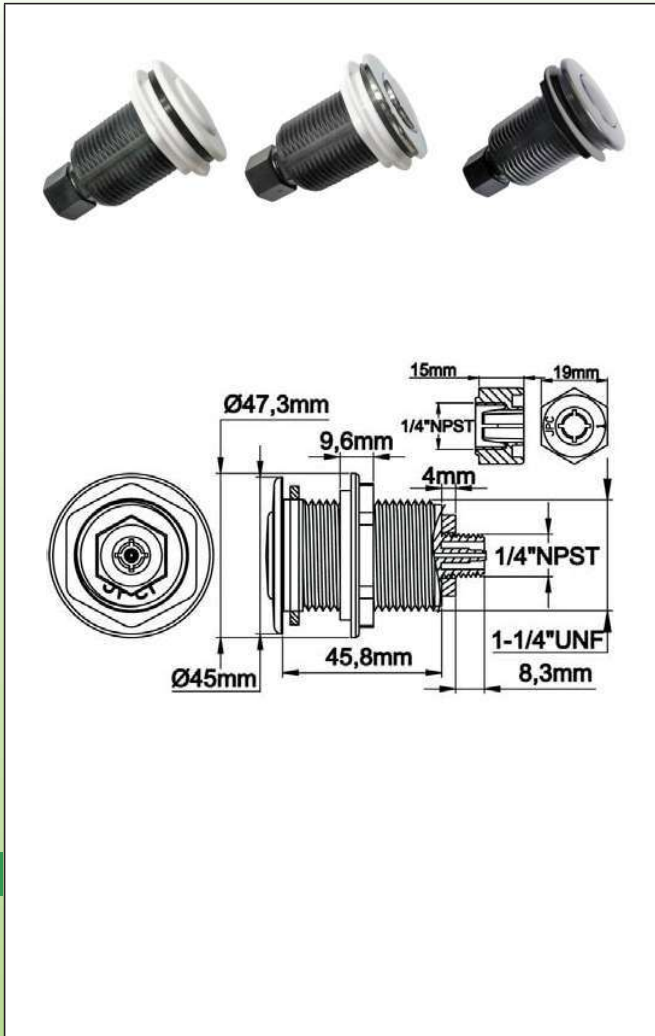


Air buttons (air transmitters) TYPE: 66ZM5

DIMENSIONS



Use: Remote operation of air switches. This pneumatic switching technology safely isolates the user from the electrical current. The air transmitters provide the pulse air pressure needed to operate a remote air switch

Typical applications: Spas , swimming pools, electrical equipment remote operating of electrical devices on/off including motors, lights, pumps, air blowers, or other associated equipment.

Operating distance: With appropriate tubing, these hand actuation transmitters can operate air switches from distances of up to 30 meters (100 feet.)

Air volume: 11 cm³

Button and bezels: ABS, Ozone and UV resistant, low profile dome design, interchangeable.

Standard Color: Black, White (Bone) and nickel plated. Any other color and finish can be made with MOQ (consult factory).

Mounting: Through tub wall, with 1"1/4-12 UNF nut and flat NBR gasket.

Mounting hole: Drill a dia. 32+1/-0 mm (1"1/4) hole. The 1"1/4 nut is staggered to allow using this button for replacement into preexisting dia. 37.3+/-1 mm holes.

Wall thickness: From 2 mm to 45 mm (1/16" to 1-5/8").

Cylinder material: ABS; ozone and UV resistant.

Gasket: NBR.

Nut: ABS.

Bellow: EPDM, impervious to ozone and chemically treated swimming pool and spa water. No micro leak to avoid pumping action with air switches. Stainless steel spring.

Tube connection: Spout for 3 mm or 1.7 mm (1/8" or 1/16" I.D) flexible PVC or rubber tubing. We recommend tube securing nut to avoid accidental tubing disconnection.

Mechanical life: > 100.000 cycles.

Ambient temperature: -20+85°C

Spare parts: Cylinder assembly, button and bezel kit are available separately.

Options: Custom buttons with logo.

References

Model	Black (RAL9005)	Nicked plated	White (RAL9003)
With tube securing nut	66ZM500060510000	66ZM500060710000	66ZM500060410000
Without tube securing nut	66ZM500060500000	66ZM500060700000	66ZM500060400000

En raison de l'évolution technique constante de nos produits, les plans, dessins, photos et caractéristiques repris dans les pages techniques sont communiqués sans engagement et peuvent être modifiés sans préavis