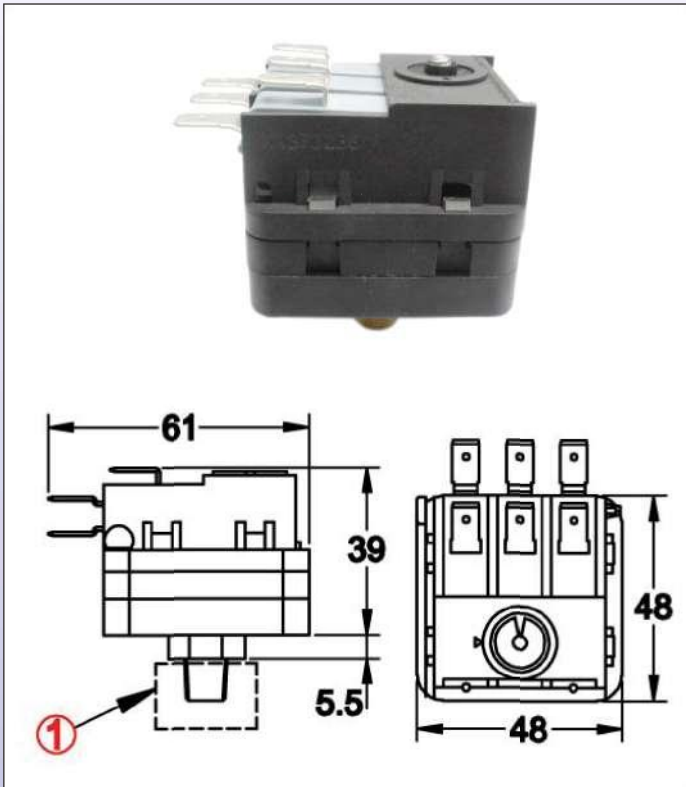


Snap action contact pressure switch, field adjustable, metal fitting.

3 poles DT contact : Type MN3

DIMENSIONS



Uses: High electrical rating, for 250V.

Main applications: Pressure sensing on water heaters, boilers, spas and swimming pools heaters and filters, electrical appliances (For incorporation).

Membrane: EPDM, dia 45 mm. Silicone or NBR on request

Fluid: water or air

Fitting: Brass (stainless steel on request)

Pressure: positive

Housing: PA66, UL94 VO, IP00

Contacts: 3 SPDT switches, snap action. NO or NC contacts available with MOQ Electrical rating: Depends on micro-switch operating force that is linked to the electrical rating

- Standard rating micro-switch (medium and high pressure calibration only): 16A 125/250VAC; 1/2HP 125VAC; 3/4HP 250VAC

- High rating micro-switch (medium and high pressure calibration only): 2HP 240V, 21(8) A 240V (UL, CSA VDE switch)

- Low force micro-switch (set points less than 150 mbar): 1/4HP 6(1) A 240V (UL, CSA VDE switch)

- On request: up to 25A 250V

Action: momentary.

Set point calibration: Field adjustable with screw driver at +/- 20% of the factory calibration value

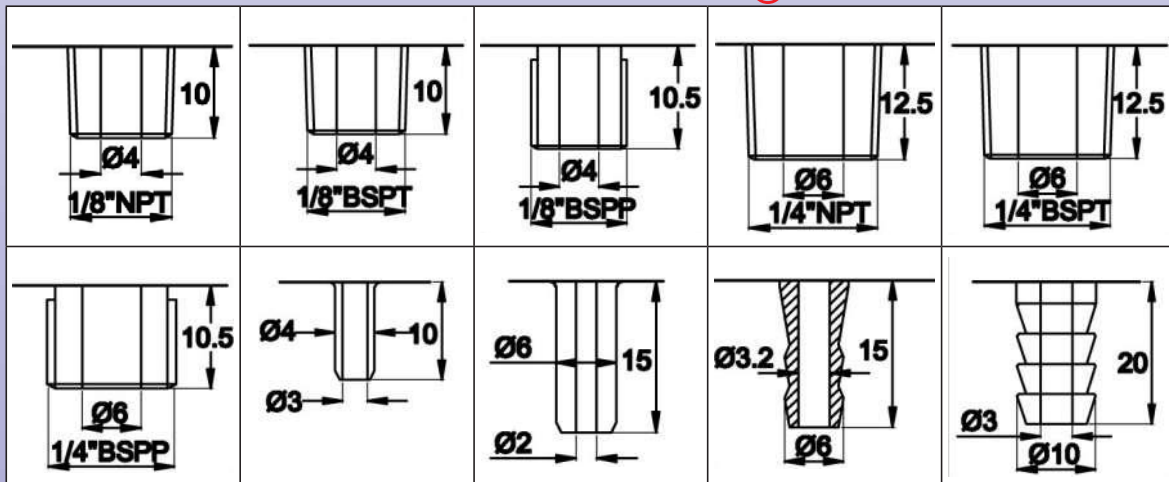
Calibration limits: 150 to 1500 mbar

Electrical connection: 6.35 x 0.8 mm terminals

Maximum pressure: 6 bars (87 PSI)

Ambient temperature limits: 0 to 85°C

Available pressure inlet fittings ①



References (SPDT contact, brass fitting, calibrated at 400 mbar):

Pressure inlet	Standard rating micro- switch	Low pressure micro-switch	High rating micro-switch
1/8" NPT	MN30U145H040DE00	MN30U540H040DE00	MN30U647H040DE00
1/8" BSPT	MN30U145L040DE00	MN30U540L040DE00	MN30U647L040DE00
1/8" BSPP	MN30U145D040DE00	MN30U540D040DE00	MN30U647D040DE00
1/4" NPT	MN30U145K040DE00	MN30U540K040DE00	MN30U647K040DE00
1/4" BSPT	MN30U1452040DE00	MN30U5402040DE00	MN30U6472040DE00
1/4" BSPP	MN30U1453040DE00	MN30U5403040DE00	MN30U6473040DE00
Smooth spout dia 4 mm	MN30U145E040DE00	MN30U540E040DE00	MN30U647E040DE00
Spout dia 6 mm	MN30U145F040DE00	MN30U540F040DE00	MN30U647F040DE00
Fluted spout dia 6 mm	MN30U145G040DE00	MN30U540G040DE00	MN30U647G040DE00
Barbed spout dia 10 mm	MN30U145J040DE00	MN30U540J040DE00	MN30U647J040DE00

Other set point values: replace 040 in the product reference by the calibration value