

Mechanical humidistats for incorporation, side shaft adjustment Type : Q88S

DIMENSIONS



MAIN FEATURES

SENSING ELEMENT: hygroscopic polymer film with special treatment, guaranteeing a fast response, long lifetime and high stability

HOUSING: Fiber glass Makrolon, high humidity resistance, very high electrical insulation properties. Do not use in places with risk of condensation.

MOUNTING: front side mounting by two screws, 30 mm distance. The same mounting is also available at the backside.

SETTING: with 6.4 mm diameter shaft, 14 mm long, with 4 mm flat, located on the small lateral side

SHAFT ROTATION: Standard mechanical rotation 295°.

ADJUSTMENT RANGE:

Range 20-80%: on 235° angular.

Range 10-60%: on 224° angular.

CALIBRATION: at mid position at 42% RH and 22 °C. Calibration tolerance at mid point: + / -5% relative humidity. Minimum and maximum positions have positive contact actuation

CONTACT STYLE:

- SPDT, the NC opens when the relative humidity goes above the set-point (humidification applications), the NO contact closes when the relative humidity goes above the set-point (ventilation or dehumidification applications)

- NC: NC opens when the relative humidity goes above the set-point (humidification applications)

- NO: NO contact closes when the relative humidity goes above the set-point (ventilation or dehumidification applications)

CONTACT MATERIAL:

- **Gold plated silver:** recommended when storage at high humidity conditions may occur, or when the product is used in low voltage application (electronic control boards)

- **Silver:** recommended for standard resistive load application or low inductive loads

ELECTRICAL CONNECTIONS: 6.3 x 0.8 mm tabs

AMBIENT CONDITIONS :

Humidity: 5 to 95% without condensation

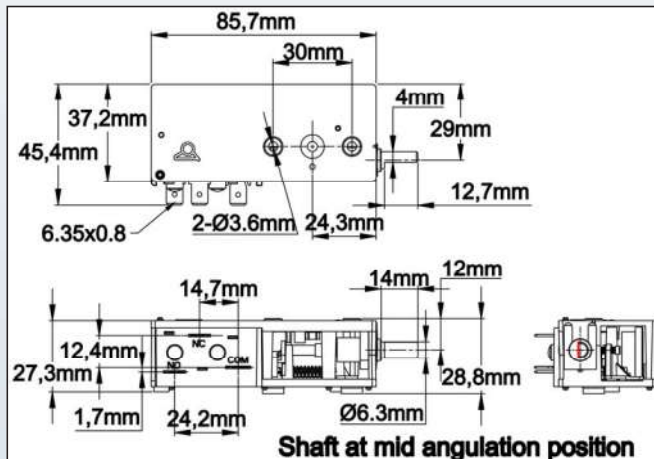
Ambient temperature: 5 to 40°C

RATING :

- UL and CSA: 6A resistive, 20A LRA, FLA 3.7A, 240V

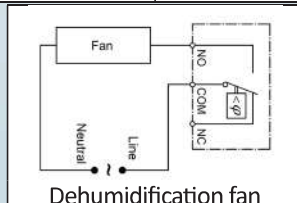
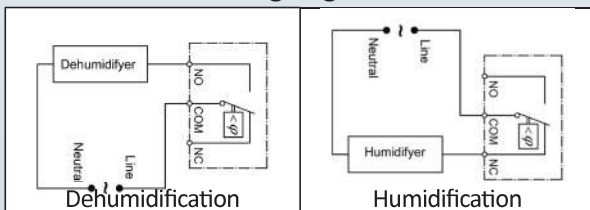
- EC: 6A resistive, (3.7A inductive) 250V

OPTIONS: Change in angular position, reverse rotation, flat and shaft length and orientation change (with MOQ and/or tooling cost)



Shaft at mid angulation position

Wiring diagrams



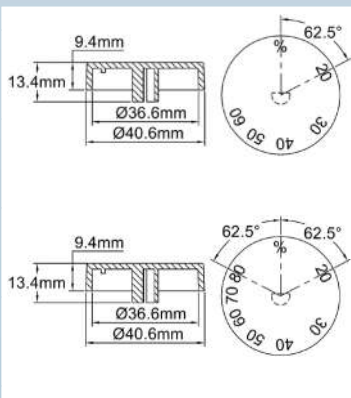
REFERENCES :

(Mechanical knob rotation 295°, 14 mm long shaft, flat horizontal position topside at mid adjustment range)

Contact style	Gold plated contact	Silver contact	Adjustment range	Rotation to increase set-point
NC	Q88S1G14H1060900	Q88S1S14H1060900	10-60%	Clockwise
NO	Q88S2G14C2080900	Q88S2S14C2080900	20-80%	Counter-clockwise
SPDT	Q88S3G14C2080900	Q88S3S14C2080900	20-80%	Counter-clockwise

Accessories

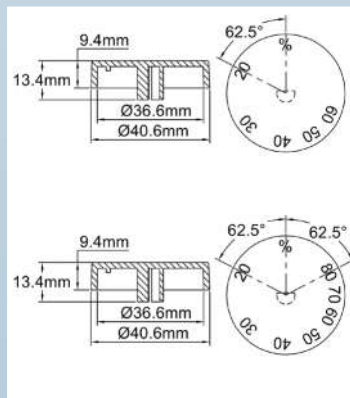
Knobs for humidistats with 6.3mm dia. shaft



20-60% RH printed knob, **counterclockwise** set point increase, for 6.35 mm shafts with 4mm flat.

Reference

66MRW640200602AB



20-60% RH printed knob, **clockwise** set point increase, for 6.35 mm shafts with 4mm flat.

Reference

66MRW64020060BAB

20-80% RH printed knob, **clockwise** set point increase, for 6.35 mm shafts with 4mm flat.

Reference

66MRW64020080BAB