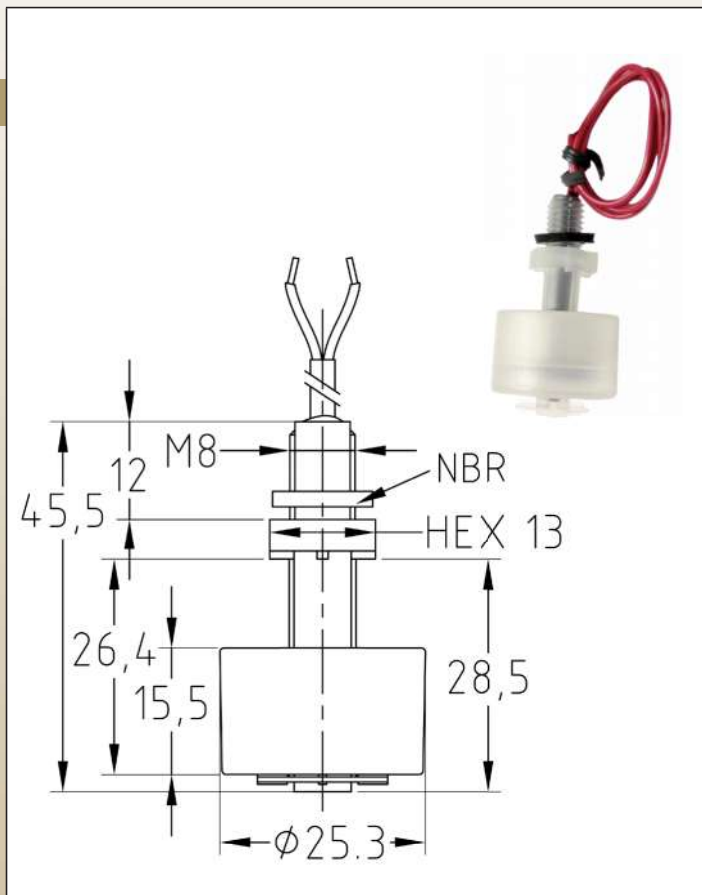


Vertical mounting, reed switch contact, polypropylene stem with M8 thread, cable output, dia. 25x15 mm hollow polypropylene float

Type DM

DIMENSIONS



MAIN FEATURES

Use: low voltage circuits

Main applications: steam generators, coffee machines, vending machines, air conditioning pumps, dehumidifiers. Most application in water level control.

Stem material: polypropylene

Float material: hollow polypropylene

Mounting: vertical, throw wall, with M8 nut and flat NBR gasket

Contact configuration: normally closed when float is down on the stem. It opens when float goes up to the wiring side. Upsetting the float changes the contact configuration into normally open

Electrical rating:

Low voltage type: maximum power 10 W (VA), max 0.5Amp, max voltage 110VAC.

230VAC type: max power 40 W (VA), max 1Amp. Values for resistive circuit. For inductive or capacitive loads, a contact protection circuit must be used.

Contact resistance: 150mOhms maxi (wires not included)
Wires: AWG24 cable, UL style 2464, PVC insulated, length 100, 500, 1000 or 2000 mm

Liquid limits: to be used with liquids chemically compatible with polypropylene, dynamic viscosity higher 0.5×10^{-4} Pa.s and lower than 10^{-2} Pa.s, specific gravity higher than 0.9, without magnetic particles.

Ambient temperature: -20+80°C

Maximum pressure: 1 bar (15 PSI)

Options: Sloss shield for use in turbulence applications, other cable length, electrical rating 70W, 1A, 250VAC.

References

Electrical Rating	Cable 100 mm	Cable 500 mm	Cable 1000 mm	Cable 2000 mm
10VA (max 110VAC)	DMF0F082825F1050	DMF0F082825F5050	DMF0F082825FA050	DMF0F082825FB050
40VA (max 230VAC)	DMF4F082825F1050	DMF4F082825F5050	DMF4F082825FA050	DMF4F082825FB050

Because of permanent improvement of our products, drawings, descriptions, features used on these data sheets are for guidance only and can be modified without prior advice