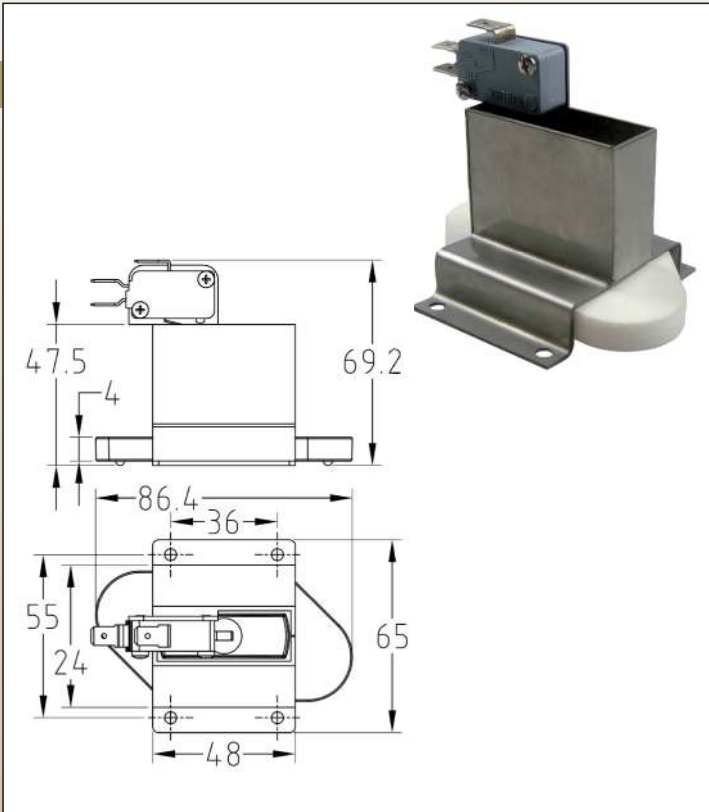


# Bottom mounting, micro switch contact, EPS foam float, Appliances flooding detection

## Type DW

### DIMENSIONS



### MAIN FEATURES

**Use:** 250 VAC circuits

**Main applications:** overflow, leaks or flooding detection on electrical appliances, washing machines, electrical equipment and cabinets protection

**Float material:** EPS foam

**Frame material:** stainless steel

**Mounting:** Mounting on the bottom side of the device. Detection will occur when the liquid level is greater than 8 mm. It is therefore necessary that this bottom is shaped in a bowl form admitting at least 8mm of water level before the water can flow out. The micro-switch must be protected against falling water and must stay away from water level

**Contact configuration:** SPDT snap action micro-switch

**Rating:** 1/4HP, 6(1) A 240V ( UL, CSA VDE switch)

**Contact resistance:** 50mOhms maxi

**Electrical connection:** three 6.35 x 0.8 mm quick connect terminals (to be incorporated inside appropriate ingress protected equipment)

**Liquid limits:** to be used with clean liquids chemically compatible with polystyrene and stainless steel, specific gravity higher than 0.9, dynamic viscosity higher than  $0.5 \times 10^{-4}$  Pa.s and lower than  $10^{-2}$  Pa.s.

**Ambient temperature:** 0+65°C

**Maximum pressure:** atmospheric

References

DWSM34253A1A6300

Because of permanent improvement of our products, drawings, descriptions, features used on these data sheets are for guidance only and can be modified without prior advice