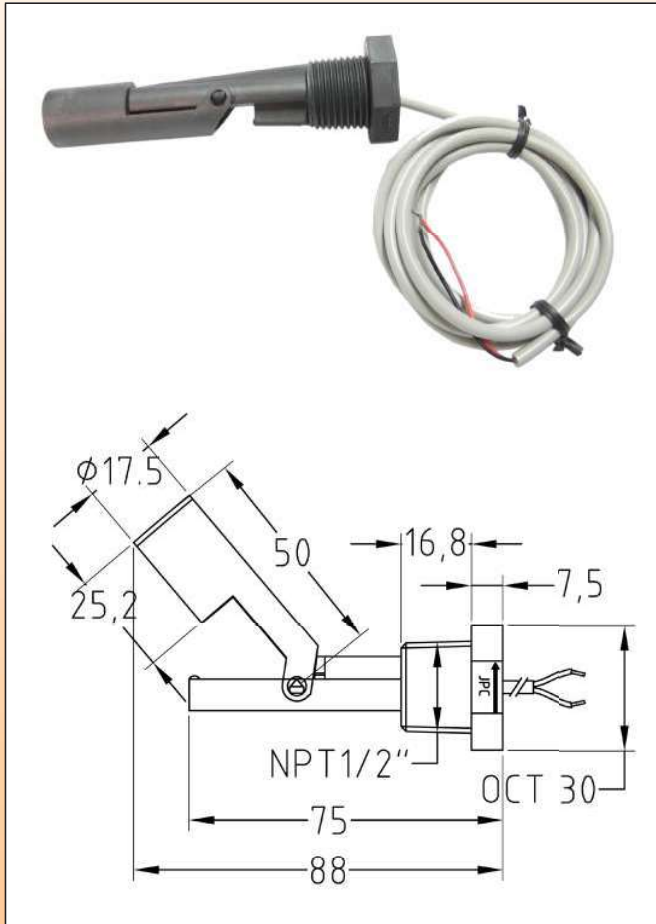


# Horizontal mounting, reed switch contact, PBT stem, hollow PBT float, Cable output, 1/2" NPT thread

## Type DT

### DIMENSIONS



### MAIN FEATURES

**Use:** low voltage circuits

**Main applications:** steam generators, coffee machines, vending machines, air conditioning pumps, dehumidifiers, tanks. The side mounting allows to adjust the level on big size tanks.

**Stem material:** PBT

**Float material:** hollow PBT

**Mounting:** horizontal on 1/2" NPT female fitting

**Contact configuration:** It opens when the float touch the stem. Two positions are possible:

-The float is on the top of the stem: contact is normally open (the float touch the stem when there is no liquid), and will close when the level rises and the float goes up

-The float is pending downside under the stem: contact is normally closed (the float does not touch the stem) and will open when the level rises and the float goes up and touch the stem.

**Electrical rating:**

Low voltage type: maximum power 10 W (VA), max 0.5Amp, max voltage 110VAC.

230VAC type: max power 40 W (VA), max 1Amp. Values for resistive circuit. For inductive or capacitive loads, a contact protection circuit must be used.

**Contact resistance:** 150mOhms maxi ( wires not included)

**Wires:** AWG24 cable, UL style 2464, PVC insulated, length 100, 500, 1000 or 2000 mm

**Liquid limits:** to be used with liquids chemically compatible with PBT, specific gravity higher than 0.9, dynamic viscosity higher than  $0.5 \times 10^{-4}$  Pa.s and lower than  $10^{-2}$  Pa.s, without magnetic particles.

**Ambient temperature:** -20+80°C

**Maximum pressure:** 1 bar (15 PSI)

**Options:** other cable length, electrical rating 70W, 1A, 250VAC

### References

Electrical Rating	Cable 100 mm	Cable 500 mm	Cable 1000 mm	Cable 2000 mm
10VA (max 110VAC)	DTP0P207618E1050	DTP0P207618E5050	DTP0P207618EA050	DTP0P207618EB050
40VA (max 230VAC)	DTP4P207618E1050	DTP4P207618E5050	DTP4P207618EA050	DTP4P207618EB050

Because of permanent improvement of our products, drawings, descriptions, features used on these data sheets are for guidance only and can be modified without prior advice