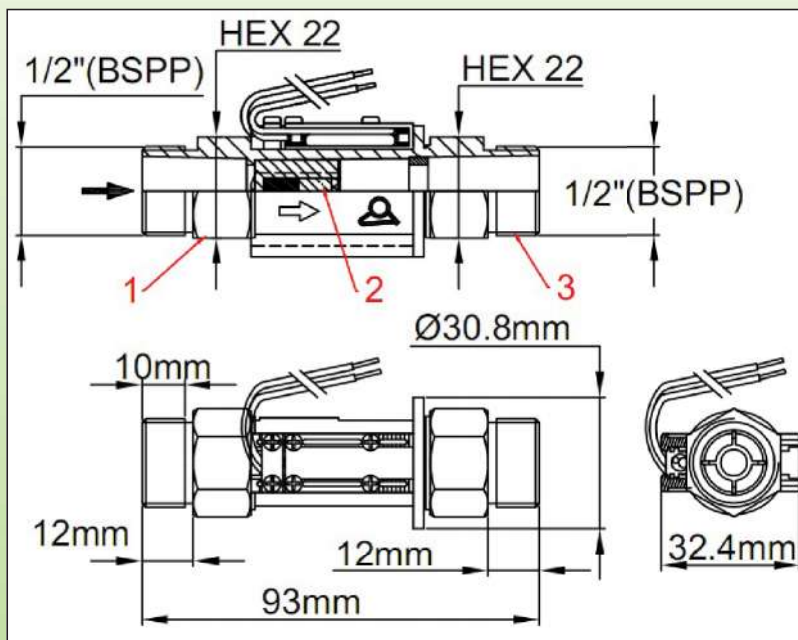


Piston flow switches, reed switch contact, inlet and outlet 1/2" BSPP male, Type: R35

Pressure and size	Flow sensing: Magnetic piston	Mounting: 1/2" male inlet and outlet	Contact: Reed switch, close on flow rise	Electrical rating	Mounting position	Type
PN10 DN15				≤1A ≤70W ≤250V~		R35



1: 1/2" BSPP Water inlet 2: Flow detection piston 3: 1/2" BSPP Water outlet

Main applications: Product developed for electrical or gas instantaneous water heaters. 1/2" BSPP male water inlet and outlet. Mandatory vertical mounting, with water inlet from the bottom.

Functional principle: Magnetic piston mounted in line with the flow and activating a reed switch through the wall. The return of the piston is by gravity. No seal or liquid can pass between the piping system and the electrical contact. Suitable for potable water. Must not be used for water containing magnetic particles or high viscosity liquids, which block the movement of the piston.

Adjustment: Can be factory set by adjusting the piston diameter and piston weight

Body material: PPO compatible with drinking water.

Piston: PPO

Electrical rating: Max 1A, Max 70W, Max 250V, resistive load. Use on inductive circuits reduces electrical rating. We recommend to protect the reed switch with contact protection device when used in inductive loads

Electric contact type: Normally open, closes by flow rise

Liquids compatibility: For use with clean water and liquids without magnetic particles and without chemical incompatibility with PPO

Nominal pressure at 20°C: 1MPa (PN10)

Flow detection set point factory setting limits:

Close by flow rise: 1 to 12 L/min

Open by flow decrease: About 0.4 to 0.5L/min lower than close value

Nominal diameter: DN15

Mandatory mounting position: on vertical pipes, upstream flow

Water pipe connection: Water inlet and outlet: 1/2" BSPP male fitting (Needs gasket)

Liquids temperature range: 5 to 80°C

Ambient temperature range: 5 to 50°C

Ingress protection: IP65

Electrical connection: 2 x AWG24 wires (0.2mm²), PVC insulation, T80°, standard length 300 mm.

Options (MOQ apply):

- Wires with connector or terminals,
- Other wire lengths,
- Other calibration values
- Two contacts
- Upside water inlet, (by adding an internal stainless steel piston spring)

Main references (with 300 mm wires)

References	Close on flow rise (L/min)	Open on flow decrease (L/min)
R35B600100000330	1±0,2	0,7±0,2
R35B600150000330	1,5±0,2	1,2±0,2
R35B600180000330	1,8±0,2	1,4±0,2
R35B600300000330	3±0,3	2.6±0,3

Other calibration on request

Because of permanent improvement of our products, drawings, descriptions, features used on these data sheets are for guidance only and can be modified without prior advice