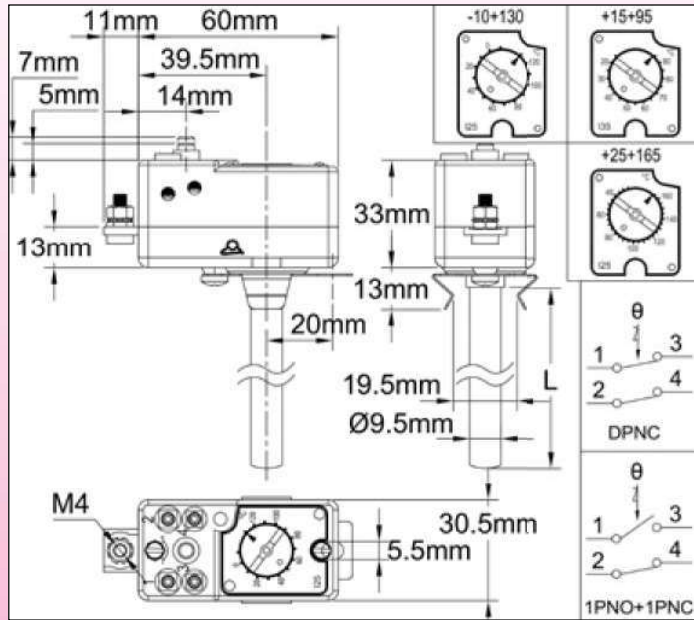


Manual reset rod thermostat, DPST and SPDT, types 1D and 1X

DIMENSIONS



TECHNICAL FEATURES

- Applications:** high limit manual reset on liquid and gas, with DPNC or SPDT contact
- Sensing element:** Bimetal rod, 304 stainless steel, dia. 9.5 mm, fast thermal response
- Housing:** no housing in this model, See Y1 range for this product with aluminum housing
- Standard temperature setting ranges:** -10+130°C, 15-95°C, 25-165°C. Other temperature ranges on request.
- Set point adjustment:** screw driver, with temperature printed dial
- Manual reset:** with un-protected front button
- Mounting:** inside pocket, locked by clips
- Contact:** DPNC or 1 x NC + 1 x NO
- Rating:** 15(4)A, 250/400VAC
- Ambient temperature:** -30+100°C(-22 +212°F) on thermostat body, and max dial temperature value+50°C(122°F) on rod

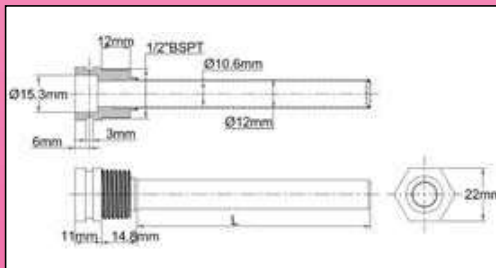
Main references

Set point adjustment range (°C/°F)	Rod length (mm)	References with DPNC contact	References with 1 x NC + 1 x NO contact,
-10+130°C/+14+266°F	200	1DA-10130B200	1XA-10130B200
+15+95/+59+203°F	200	1DA015095A200	1XA015095A200
+15+95/+59+203°F	300	1DA015095C300	1XA015095C300
+25+165/+77+329°F	200	1DA025165B200	1XA025165B200

Accessories (not included in the thermostat, must be ordered separately)

Pocket, nickel plated copper alloy, length 200mm or 300 mm

Pocket clamping



200 mm Reference	66DK12S190712
300 mm Reference	66DK12S290712