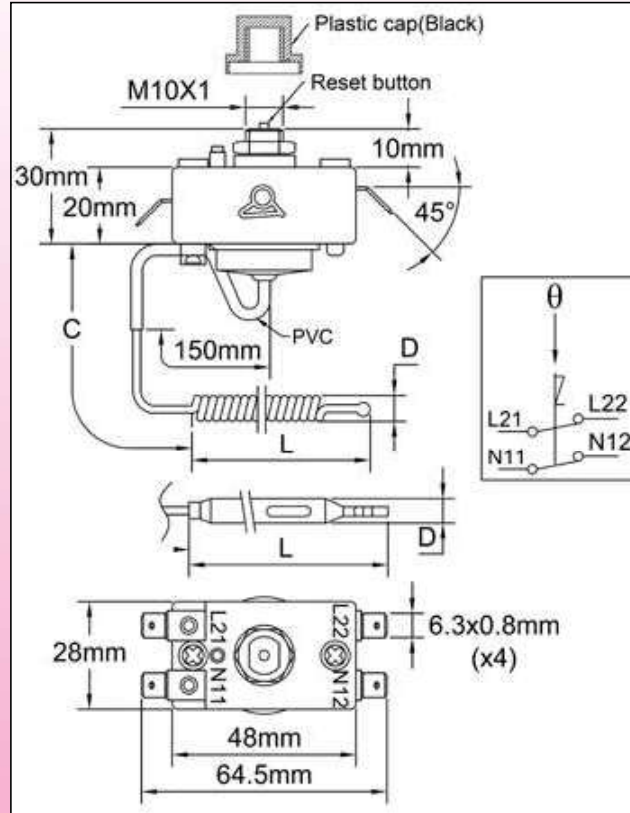


# Type 8X DPNC manual reset high limit, fail safe

## DIMENSIONS



## TECHNICAL FEATURES

**Housing dimensions:** 43 x 35 x 29 mm (without terminals and diaphragm)

**Capillary:** copper, capillary length 250mm or 900 mm, 150 mm long PVC sleeve on capillary. Capillary minimum bending radius 5 mm.

For technical reasons, we do not recommend to use capillary length longer than 900 mm.

**Bulb:** copper, corkscrew type for temperatures from 60 to 130°C(140 to 266°F), tubular dia 6 mm from 130°C to 170°C(266 to 338°F).

**Temperature sensing element:** Liquid-filled thermostatic assembly whose boiling causes tripping of the contact. Therefore, unlike liquid filled systems, these thermostats are sensitive to atmospheric pressure, and their reaction time is slower.

**Terminals:** 6.35 x 0.8 quick connect terminals Adjustment: fixed setting

**Mounting:** Front bushing, with M10x1

**Manual reset:** fail safe action, front access button

**Rating:** 20A 250VAC

**Contacts:** DPST (snap action contact)

**Max ambient temperature on head:** 125°C

## Main references

Reference	Calibration Temperature (°C/°F)	Minimum resettable temperature (°C/°F)	Capillary length (mm)	Bulb diameter (mm)	Bulb length (mm)	Max temperature on bulb (°C/°F)
8X0060090CI61001	60±5°C/140±41°F	20°C/68°F	900	6	50	90°C/194°F
8X0060090CA61001	60±5°C/140±41°F	20°C/68°F	250	6	50	90°C/194°F
8X0070100CI61001	70±5°C/158±41°F	30°C/86°F	900	6	50	100°C/212°F
8X0080110CI61001	80±5°C/176±41°F	40°C/104°F	900	6	50	110°C/230°F
8X0090120CI61001	90±5°C/194±41°F	50°C/122°F	900	6	50	120°C/248°F
8X0110140CI61001	110±5°C/230±41°F	70°C/158°F	900	6	50	140°C/284°F
8X0130160CI61001	130±6°C/266±42.8°F	90°C/194°F	900	6	60*	160°C/320°F
8X0150180CI61001	150±7°C/302±44.6°F	110°C/230°F	900	6	60*	180°C/356°F
8X0170200CI61001	170±7°C/338±44.6°F	130°C/266°F	900	6	60*	200°C/392°F

\* Cylinder bulb

Unless exceptionally specified by this logo, products and components in this catalogue are made by Ultimheat alliance members.

Because of permanent improvement of our products, drawings, descriptions, features used on these data sheets are for guidance only and can be modified without prior advice