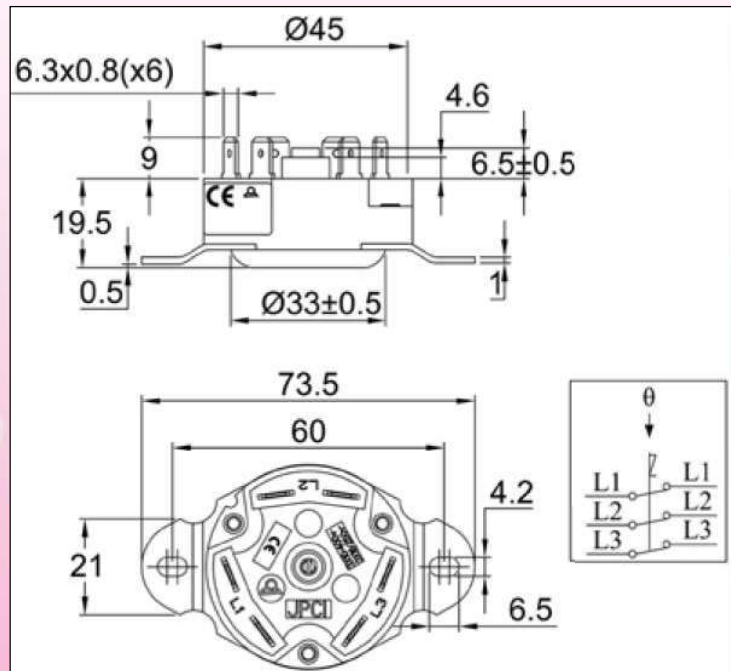


# 3 pole manual reset disc thermostats 4C types

## DIMENSIONS



## TECHNICAL FEATURES

**Applications:** Temperature limit of heaters, instant water heaters, saunas steam generators, industrial heaters

**Housing dimensions:** diameter 45mm, height 20mm (28mm with terminals),

**Body material:** high temperature PPS

**Temperature sensing element:** Bimetal disc

**Terminals:** 6.35 x 0.8mm quick connect

**Set point temperature range:** +20 to +180°C (Factory fixed setting only)

**Mounting:** surface mounting fixed bracket, 2 holes 4.4 x 6.4mm, 60 mm distance

**Rating:** 3 x 16A 250VAC, 3 x 10A 400VAC, resistive (10000 cycles)

3 x 25A 250VAC, 3 x 16A 400VAC (300 cycles)

**Contact:** 3 snap action contacts, double break, open on temperature rise.

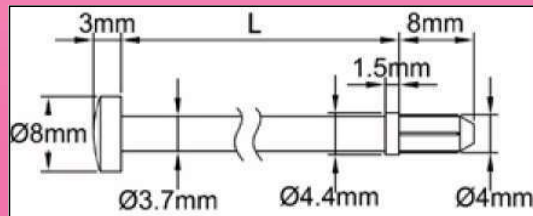
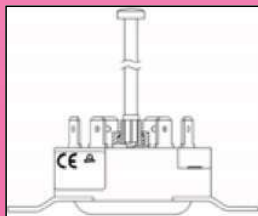
**Max ambient temperature:** 180°C

**Approvals:** comply with EN 60730-1 and EN 60730-2 standards (CE mark)

## Main references

References	Operating Temperature (°C/°F)	Tolerance (°C/°F)	References	Operating Temperature (°C/°F)	Tolerance (°C/°F)
4C504T070RMEM60D	70°C/158°F	±4°C/±39.2°F	4C504T105RMEM60D	105°C/221°F	±6°C/±42.8°F
4C504T075RMEM60D	75°C/167°F	±4°C/±39.2°F	4C504T110RMEM60D	110°C/230°F	±6°C/±42.8°F
4C504T080RMEM60D	80°C/176°F	±5°C/±41°F	4C504T120RMEM60D	120°C/248°F	±6°C/±42.8°F
4C504T085RMEM60D	85°C/185°F	±5°C/±41°F	4C504T130RMEM60D	130°C/266°F	±6°C/±42.8°F
4C504T090RMEM60D	90°C/194°F	±5°C/±41°F	4C504T140RMEM60D	140°F/284°F	±7°C/±44.6°F
4C504T095RMEM60D	95°C/203°F	±5°C/±41°F	4C504T150RMGM60D	150°C/302°F	±7°C/±44.6°F
4C504T100RMEM60D	100°C/212°C	±5°C/±41°F	4C504T160RMEM60D	160°C/320°F	±7°C/±44.6°F

## Accessories



Long distance manual reset rods

L	Reference
114	664CLR114
30	664CLR030

Other length on request

Because of permanent improvement of our products, drawings, descriptions, features used on these data sheets are for guidance only and can be modified without prior advice

Unless exceptionally specified by this logo, products and components in this catalogue are made by Ultimheat alliance members.