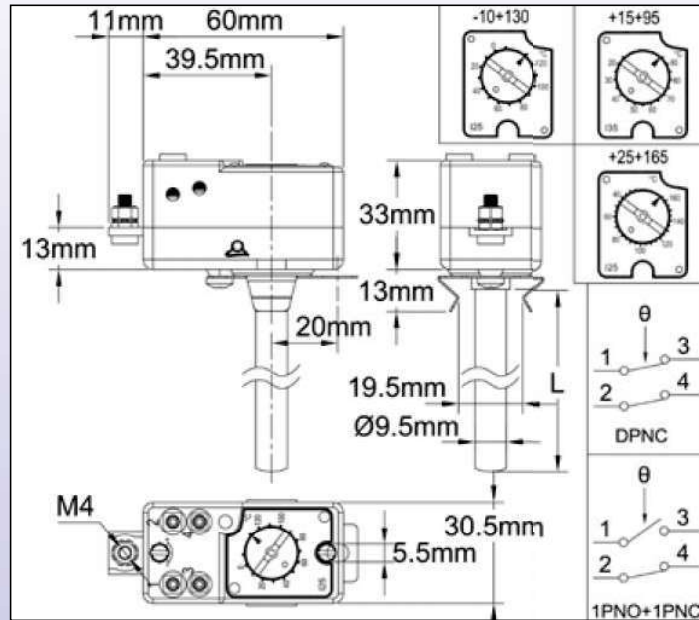


Rod thermostats, DPST and SPDT, types 1B, 1C, 1R, 1U

Unless exceptionally specified by this logo, products and components in this catalogue are made by Ultimheat alliance members.



DIMENSIONS



TECHNICAL FEATURES

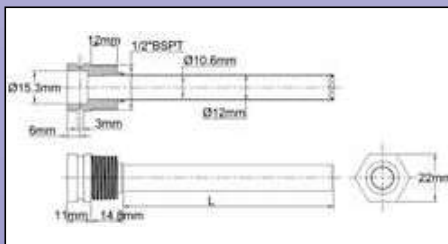
- Applications:** temperature control of liquid and gas, with DPST or SPDT contact
Sensing element: Bimetal rod, 304 stainless steel, dia. 9.5 mm, fast thermal response
Housing: no housing in this model, See catalogue N°2 for this product with aluminum housing
Standard temperature setting ranges: -10+130°C, 15-95°C, 25-165°C. Other temperature ranges on request.
Differential:
 • Standard: 15°C with 200 mm rod, 10°C with 300 mm rod
 • Reduced: 3°C with 200 mm rod, 2°C with 300 mm rod
Set point adjustment: screw driver, with temperature printed dial
Mounting: inside pocket, locked by clips
Contact: DPNC or 1xNC + 1 x NO
Rating: standard differential 15(4)A, 250/400VAC
Reduced differential: 4(1)A 250VAC
Ambient temperature: -30+100°C on thermostat body, and Max dial temperature value+50°C on rod

Main references

Set point adjustment range (°C)	Rod length (mm)	References with DPNC contact, standard differential	References with DPNC contact, reduced differential	References with 1 x NC + 1 x NO contact, standard differential	References with 1 x NC + 1 x NO contact, reduced differential
-10+130	200	1BA-10130B200	1CA-10130B200	1RA-10130B200	1UA-10130B200
+15+95	200	1BA015095A200	1CA015095A200	1RA015095A200	1UA015095A200
+15+95	300	1BA015095C300	1CA015095C300	1RA015095C300	1UA015095C300
+25+165	200	1BA025165B200	1CA025165B200	1RA025165B200	1UA025165B200

Accessories (not included in the thermostat, must be ordered separately)

Pocket, nickel plated copper alloy, length 200mm or 300 mm



Pocket clamping



200 mm Reference	66DK12S190712
300 mm Reference	66DK12S290712

Mounting accessories are described in the last section of this catalogue

Because of permanent improvement of our products, drawings, descriptions, features used on these data sheets are for guidance only and can be modified without prior advice