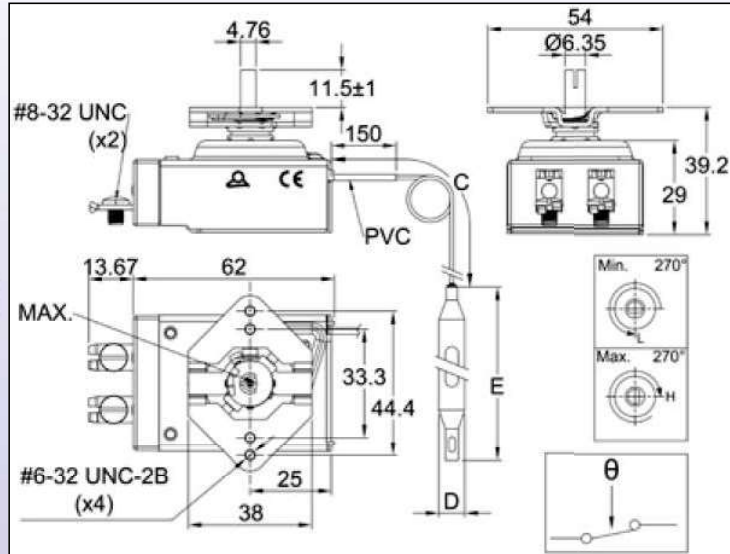


# 8H type: Single pole high rating (30A) bulb and capillary thermostats

## DIMENSIONS



## TECHNICAL FEATURES

- Applications:** High rating single pole control, for catering equipment, domestic heaters,
- Housing dimensions:** 61 x 42 x 39.5 mm (without the terminals)
- Material:** metal /ceramic housing, stainless steel bulb and capillary. Capillary minimum bending radius 5 mm. 150 mm PVC sleeve on capillary
- Temperature sensing element:** liquid filled bulb and capillary. Special capillary length from 300 mm to 3000 mm on request (MOQ apply)
- Terminals:** 2 screws, UNC 8-32
- Adjustment:** dia. 6,35 mm (1/4") shaft, 11.5 mm length, 270° mechanical rotation other lengths, rotation or fixed setting available on request (MOQ apply).
- Mounting:** front bracket with 4 tapped holes (#6-32 UNC-2B), 33.3 and 44.4 mm distance
- Rating:** 30A 250/400VAC, resistive
- Contacts:** 1 normally closed snap action contacts, double break, open on rise.
- Option:** back fixing bracket
- Max ambient temperature on housing:** 85°C/185°F
- Accessories:** dia. 50 mm knobs printed in °C or °F
- Approvals:** comply with EN 60730-1 and EN 60730-2 standards

## Main references

References	Temperature range (°C/°F)	Capillary length (mm)	Bulb diameter (mm)	Bulb length (mm)	Differential (°C/°F)	Max temperature on bulb (°C/°F)
8HQ004040AO6A001	4-40°C (40-105°F)	1500	6	215	4±2°C /7±3.6 °F)	43°C/110°F
8HQ030090AO6A001	30-90°C (85-195°F)	1500	6	130	5±3(41±37.4°F)	100°C/212°F
8HQ030110AO6A001	30-110°C (85-230°F)	1500	6	120	14±3/57.2±37.4°F)	250°C/482°F
8HQ050200AO6A001	50-200°C (120-390°F)	1500	6	75	17±3/62.6±37.4°F)	250°C/482°F
8HQ050000AO6A001	50-300°C (120-570°F)	1500	6	75	17±3/62.6±37.4°F)	310°C/590°F

## Main knobs

Knob dimensions	°C printed knobs				
	4-40°C	30-90°C	30-110°C	50-200°C	50-300°C
	66MP0060040402FW	66MP0060300901FW	66MP0060301101FW	66MP0060502001FW	66MP0060503001FW
	°F printed knobs				
	40-105°F	85-195°F	85-230°F	120-390°F	120-570°F
	66MP0060040402FX	66MP0060300901FX	66MP0060301101FX	66MP0060502001FX	66MP0060503001FX

Many other knobs are available, see the full knobs list at end of this catalogue.