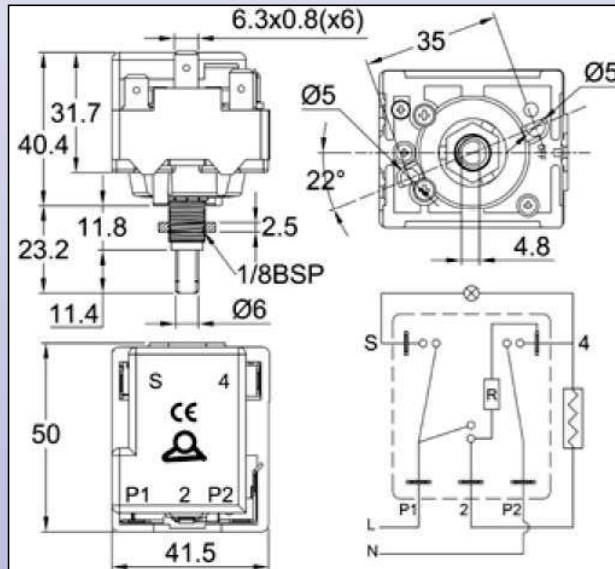


Energy regulators, 6 mm shaft, bush mounting: type 35ER

DIMENSIONS



TECHNICAL FEATURES

Main features:

Energy regulators are used to adjust power on electrical heaters. Connected in line with electrical heaters, they provide adjustable cycling sequence, thus adjusting average electrical power

Housing dimensions: 50 x 42 x 39 mm (shaft not included)

Housing material: high temperature resistant PPS

Terminals: 6.3 x 0.8 quick connect

Adjustment: dia. 6 mm with 4.8 flat shaft, length 11.4 mm (UK style models with 4.75 mm dia. shaft available on request, MOQ apply)

Angulation:

- Mechanical: 360°, with two pole off position at 0°
- Electrical: Min position at 75° angular, Max position at 285° angular. (Other angulation with max at 208.5° available on request, MOQ apply)

Mounting: Center 1/8 BSSP bush with centering studs. 2 M4, 28 mm distance screws mounting bracket available on request (MOQ apply)

Rating: 12A 230V resistive, SPDT+ on off pilot contact. Other contact configuration (SPST, SPDT without pilot, double circuit etc... are available on request, MOQ apply)

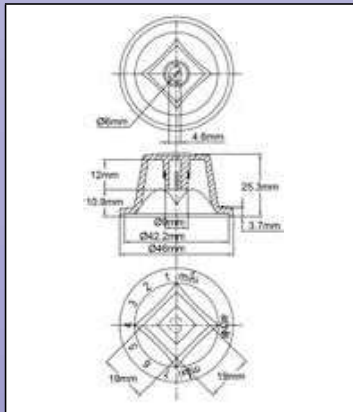
Max ambient temperature: 125°C/257°F

Approval: CE

References

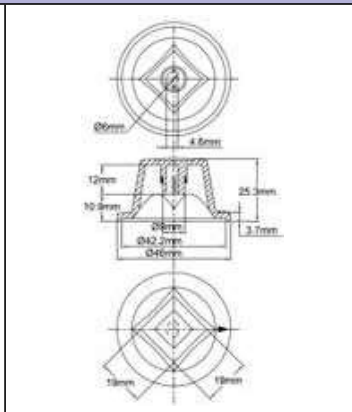
24V	35ER102TF024V
48V	35ER102TF048V
110V	35ER105TF110V
230V	35ER101TF230V
400V	35ER104TF400V

Knobs and dials



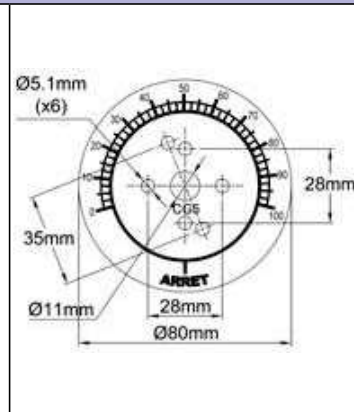
Black polyamid knob with with white printing

Reference 66MD003000071



Black polyamid knob with white arrow, for anodized aluminum dial

Reference 66MF006000001



Anodized aluminum dial with 0-100 printing for arrow knob

Reference 66CG5001