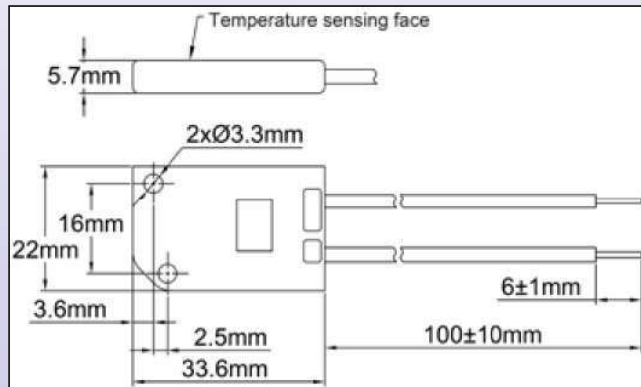


Waterproof flat disc thermostat, 4A 250V Type 4N630

DIMENSIONS



TECHNICAL FEATURES

Application: Waterproof thermostat, can be incorporated inside thin heating devices, heating blankets, heating pads, antifreeze cables, electrical floor heating

Electrical rating: 8A, 125VAC res
4A, 250VAC res

Temperature calibration range: 0 to 120°C (32 to 248°F)

Contact: open or close on temperature rise

Differential: 8-15°C (46.4-59°F)

Tolerance: ±5°C on open and close

Contact resistance: < 70 mΩ (wires and optional TCO not included)

Insulation resistance: ≥ 100MΩ @500VDC

Thermal resistance: -20°C +130°C (except optional thermal fuse and wires)

Electrical life: ≥10.000 cycles under rated load

Wires: PVC insulated, 0.5 mm² (0.75 mm² on request), length 100, 200, 500, 1000 mm

Option: built-in thermal fuse, 2A, 5A or 8A.

Thermal fuse calibration must be at least 30°C higher than thermostat opening temperature (MOQ apply)

Main references

References	Open °C (°F)	Close °C (°F)	Wire lengths (mm)
4N630101308JGCD0	13°C ±5°C (55.4 ±41°F)	6°C ±5°C (42.8 ±41°F)	200
4N630103008JGCD0	30°C ±5°C (86 ±41°F)	22°C ±5°C (71.6 ±41°F)	200
4N630104008JGC10	40°C ±5°C (104 ±41°F)	32°C ±5°C (89.6 ±41°F)	1000
4N630105008JGC10	50°C ±5°C (122 ±41°F)	42°C ±5°C (107.6 ±41°F)	1000

Because of permanent improvement of our products, drawings, descriptions, features used on these data sheets are for guidance only and can be modified without prior advice

Unless exceptionally specified by this logo , products and components in this catalogue are made by Ultimheat alliance members.