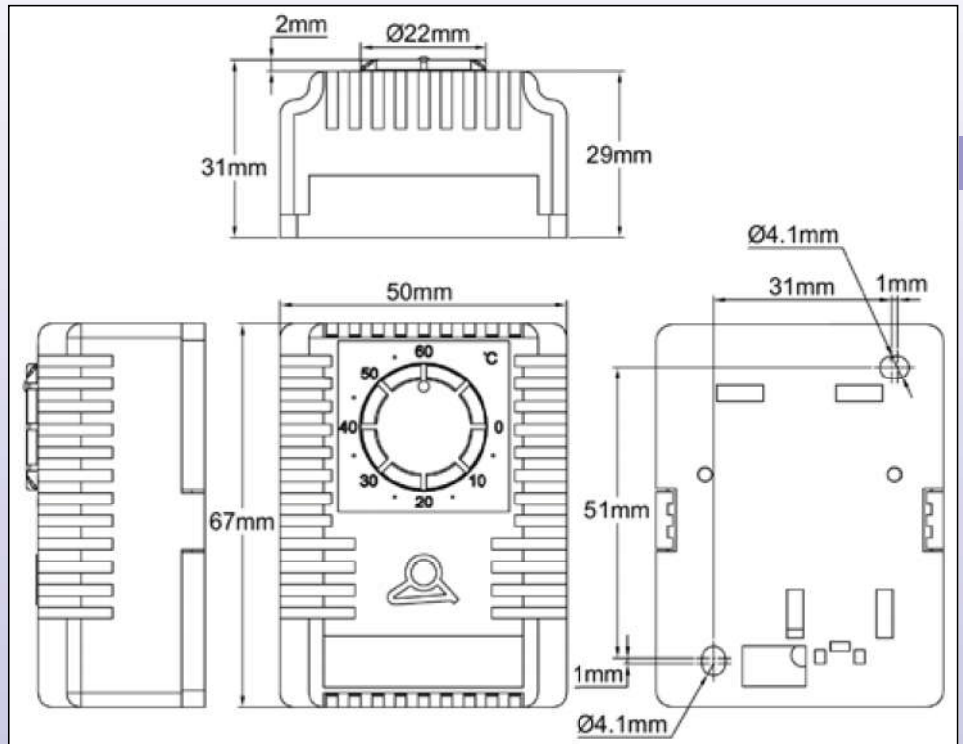


Y0 range - IP20 to IP44 enclosures and thermostatic controls

Miniature room temperature thermostats wall mounting, home appliance style, type Y02M



Main use:

These models have been designed to control electrical equipment temperature. They are designed for wall mounting with 2 backside screws. Their SPDT contact allows their use to control a cabinet heater, a fan or a filter fan, or a cooling system.

Temperature ranges: -10+50°C (14+ 122°F) ; 0-60°C (32-140°F) ; 20+80°C (68-176°F)

Set point adjustment: screw driver knob, red color for open on rise models, blue color for close on rise models

Sensing element: bimetal

Contact type: snap-action contact, open or close on temperature rise, 10(2)A 250VAC, 15(2)A 120VAC

Electrical life: > 100 000 cycles at rated values

Contact resistance: < 10mOhm

Electrical connection: 4 screw terminals, for 1.5 mm² wires

Mounting: Clip for 35mm DIN rail (EN50022)

Casing: UL94 V0, PC-ABS, RAL 1010 light grey

Dimensions: 67 x 50 x 46 mm

Operating temperature range: -20 to +80°C

Ingress protection: IP30

Main references

Temperature range (°C)	Differential (°C)	References
-10+50°C	4°C±2°C	Y02MAC-10050114M
-10+20°C	4°C±2°C	Y02MAC-10020114M
+5+35°C	4°C±2°C	Y02MAC005035114M
0+60°C	4°C±2°C	Y02MAC000060114M
+20+80°C	4°C±2°C	Y02MAC020080114M

Temperature range (°F)	Differential (°F)	References
15-120°F	7±3°F	Y02MAC-10050114N
15-70°F	7±3°F	Y02MAC-10020114N
40-95°F	7±3°F	Y02MAC005035114N
30-140°F	7±3°F	Y02MAC000060114N
70-180°F	7±3°F	Y02MAC020080114N

Wiring diagram

