

Y0 range - IP20 to IP44 enclosures and thermostatic controls

Empty enclosure for oil filled electric radiators, with single tube heating element and electronic temperature control, Type Y01

These boxes are mounted on the outer threaded 1/2" single tube heating elements in oil filled radiators. They are designed to accommodate existing electronic cards from manufacturers such as Cotherm, Delta Dore ...

Their IP protection class allows them to be mounted in most domestic applications.

They are designed to respond to a class II insulation: creepage distances and clearances between the metal parts or live parts are greater than or equal to 8mm (Indicative values, which may vary according to internal electronic circuits)

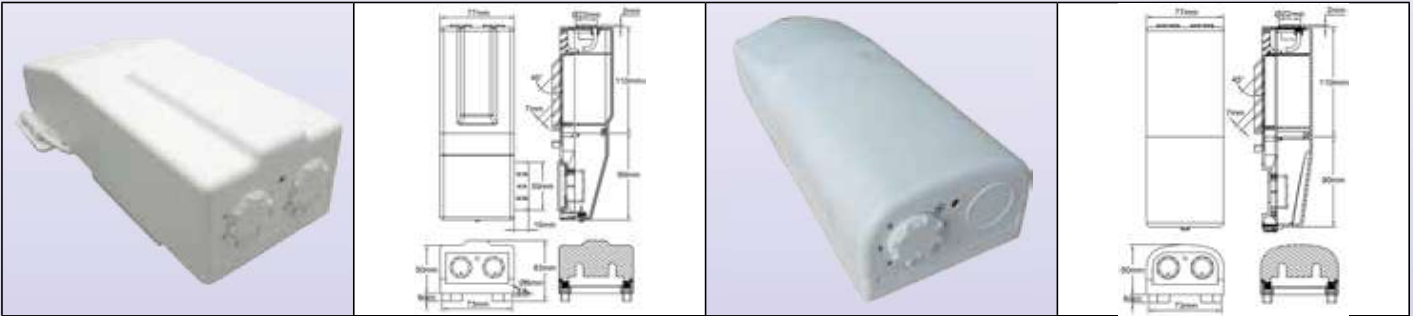
The minimum plastic wall thickness is 1.6 mm.

They can be supplied with mains cable with pull out force greater than 10 daN.

The development of these boxes is on customer specifications.

Contact us for reference and suppliers of compatible electronic circuit board

Because of permanent improvement of our products, drawings, descriptions, features used on these data sheets are for guidance only and can be modified without prior advice

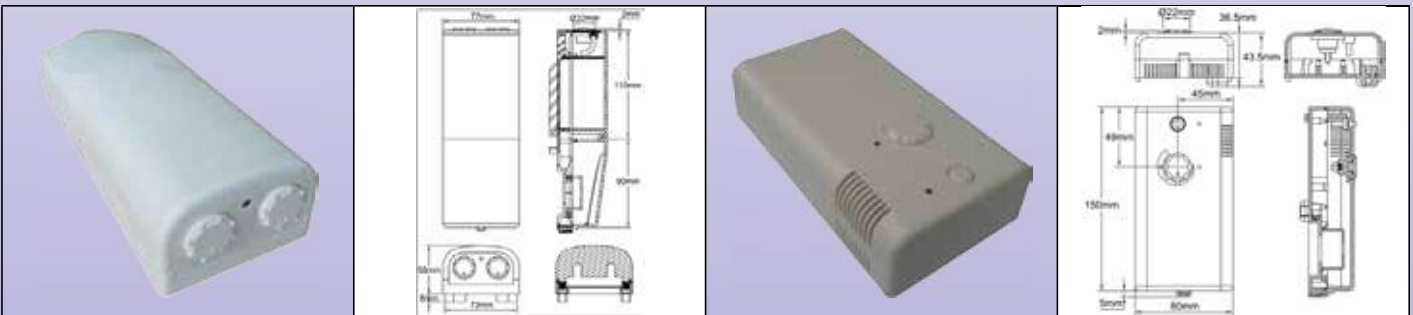


Dimensions: 200x77x58 (excluding knob and bracket)
Setting: One or two knobs, one pilot light
IP Rating: IP22 (vertical mounting only)
Weight: 192 gr.
Color: RAL1010
Material: PC-ABS
Ventilation: Electronic area is ventilated by louver

Reference with two knobs setting	Y019ETE200502162
Reference with one knob setting	Y019ETE200502161

Dimensions: 200x77x50 (excluding knob and bracket)
Setting: One knob, one pilot light
IP Rating: IP22 (vertical mounting only)
Weight: 195 gr.
Color: RAL1010
Material: PC-ABS
Ventilation: Electronic area is ventilated by louver style air inlet of 7 mm, for triac output temperature control

Reference	Y019ETE200511212
------------------	------------------

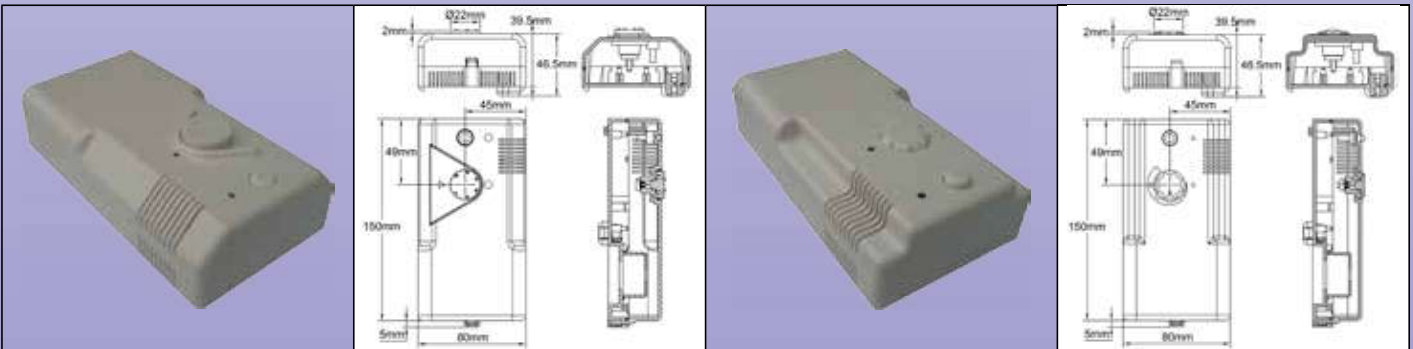


Dimensions: 200x77x50 (excluding knob and bracket)
Setting: Two knobs, one pilot light
IP Rating: IP22 (vertical mounting only)
Weight: 195 gr.
Color: RAL1010
Material: PC-ABS
Ventilation: Electronic area is ventilated by louver style air inlet of 7 mm, for triac output temperature control.

Reference	Y019ETE200511211(One Knob)
------------------	----------------------------

Dimensions: 150x80x37 (excluding knob and bracket)
Setting: One knob, one button, two pilot lights
IP Rating: IP33 (vertical mounting only)
Weight: 130 gr.
Color: RAL1010
Material: PC-ABS
Ventilation: For relay output electronic controls. Not suitable for triac.

Reference	Y019ET020090604A
------------------	------------------



Dimensions: 150x80x40 (excluding knob and bracket)
Setting: One knob, one button, two pilot lights
IP Rating: IP33 (vertical mounting only)
Weight: 130 gr.
Color: RAL1010
Material: PC-ABS
Ventilation: For relay output electronic controls. Not suitable for triac.

Reference	Y019ET020091231A
------------------	------------------

Dimensions: 150x80x40 (excluding knob and bracket)
Setting: One knob, one button, two pilot lights
IP Rating: IP33 (vertical mounting only)
Weight: 125 gr.
Color: RAL1010
Material: PC-ABS
Ventilation: For relay output electronic controls. Not suitable for triac.

Reference	Y019ET020100525A
------------------	------------------