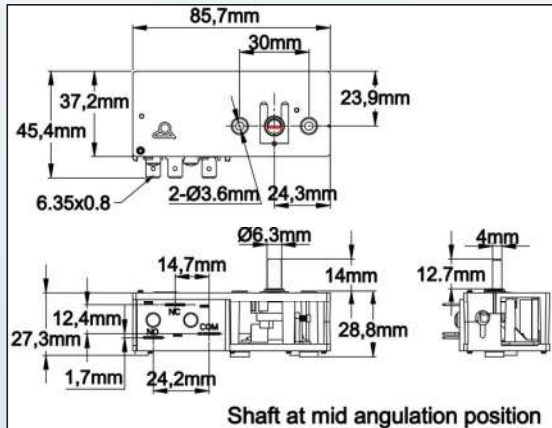


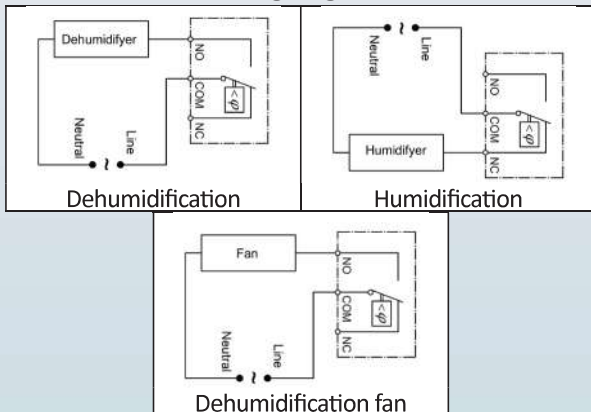
Mechanical humidistats for incorporation, front shaft adjustment Type : Q88F

DIMENSIONS



Shaft at mid angulation position

Wiring diagrams



MAIN FEATURES

SENSING ELEMENT: hygroscopic polymer film with special treatment, guaranteeing a fast response, long lifetime and high stability

HOUSING: Fiber glassfilled Makrolon, high humidity resistance, very high electrical insulation properties. Do not use in places with risk of condensation.

MOUNTING: front fixing by two screws, 30 mm distance. The same fixing is also available at the backside.

SETTING: with 6.4 mm diameter shaft, 14 mm long, with 4 mm flat, front located.

SHAFT ROTATION: Standard mechanical rotation 295°.

ADJUSTMENT RANGE:

Range 20-80%: on 235° angular.

Range 10-60%: on 224° angular.

CALIBRATION: at mid position at 42% RH and 22 ° C. Calibration tolerance at mid-point: + / -5% relative humidity. Minimum and maximum positions have positive contact actuation

CONTACT STYLE:

- SPDT, the NC opens when the relative humidity goes above the set-point (humidification applications), the NO contact closes when the relative humidity goes above the set-point (ventilation or dehumidification applications)

- NC: NC opens when the relative humidity goes above the set-point (humidification applications)

- NO: NO contact closes when the relative humidity goes above the set-point (ventilation or dehumidification applications)

CONTACT MATERIAL:

- **Gold plated silver:** recommended when storage at high humidity conditions may occur, or when the product is used in low voltage application (electronic control boards)

- **Silver:** recommended for standard resistive load application or low inductive loads

ELECTRICAL CONNECTIONS: 6.3 x 0.8 mm tabs

AMBIENT CONDITIONS :

Humidity: 5 to 95% without condensation

Ambient temperature: 5 to 40°C

RATING:

- UL and CSA: 6A resistive, 20A LRA, FLA 3.7A, 240V

- EC: 6A resistive, (3.7A inductive) 250V

OPTIONS: Change in angular position, reverse rotation, flat and shaft length and orientation change (with MOQ and/or tooling cost)

REFERENCES :

(mechanical knob rotation 295 °, 14 mm long shat, flat horizontal position topside at mid adjustment range)

Contact style	Gold plated contact	Silver contact	Adjustment range	Rotation to increase set-point
NC	Q88F1G14H1060900	Q88F1S14H1060900	10-60%	Clockwise
NO	Q88F2G14C2080900	Q88F2S14C2080900	20-80%	Counter-clockwise
SPDT	Q88F3G14C2080900	Q88F3S14C2080900	20-80%	Counter-clockwise

Accessories

Knobs for humidistats with 6.3mm dia. shaft

	<p>20-60% RH printed knob, counterclockwise set point increase, for 6.35 mm shafts with 4mm flat.</p> <p>Reference 66MRW640200602AB</p>		<p>20-60% RH printed knob, clockwise set point increase, for 6.35 mm shafts with 4mm flat.</p> <p>Reference 66MRW64020060BAB</p>
	<p>20-80% RH printed knob, counterclockwise set point increase, for 6.35 mm shafts with 4mm flat.</p> <p>Reference 66MRW640200802AB</p>		<p>20-80% RH printed knob, clockwise set point increase, for 6.35 mm shafts with 4mm flat.</p> <p>Reference 66MRW64020080BAB</p>